

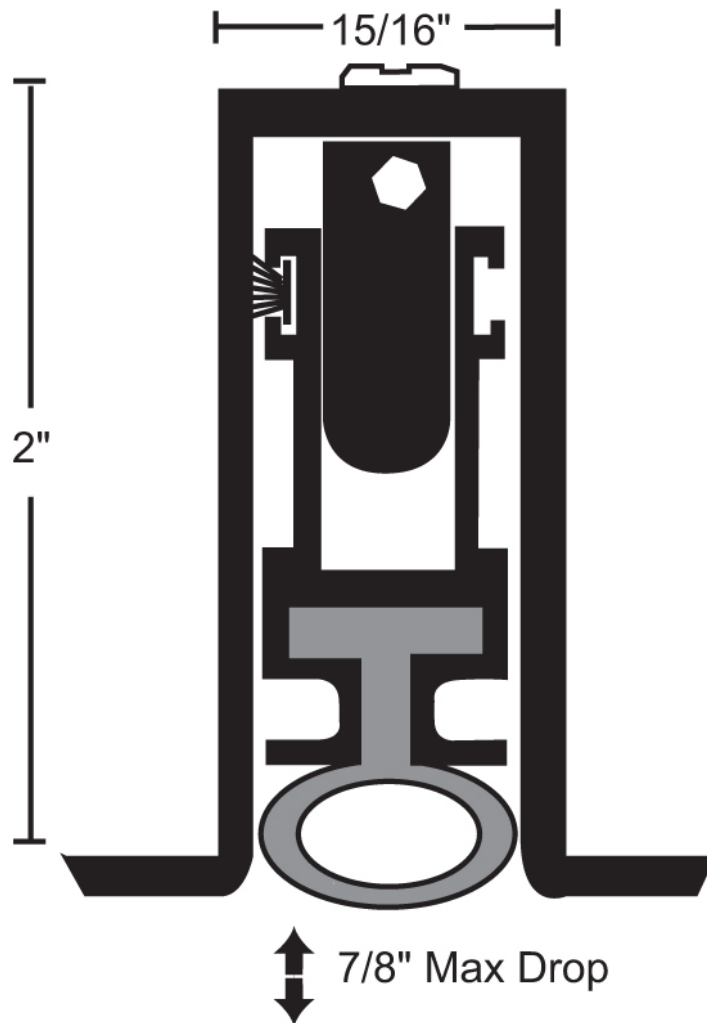


**TRADEMARK
HARDWARE**

WORLD OF QUALITY HARDWARE

Product Specs

Mortise required
1" x 2-1/8"



SKU: N522N



www.tmhardware.com



845-388-1300



845-388-1388



sales@tmhardware.com