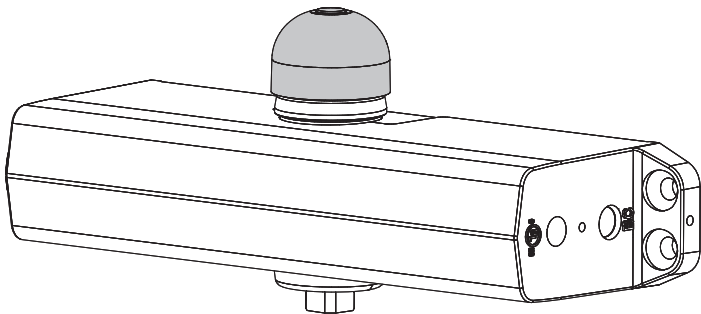


# NorBell

## Quick Start Guide

**NORTON  
RIXSON**

**ASSA ABLOY**



80-9300-0010-020, Rev 1, 12/25

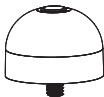
**Approved 2025-12-17**

Experience a safer  
and more open world

## OVERVIEW:

- Can provide chime between 15° and 90° of opening for top jamb mount or 38° to 90° for parallel arm.
- Less than 15° of opening may result in no chime activation
- If chime is set to less than 30° of opening, exceeding 90° of opening may result in a double chime activation.
- Use template provided to assist in determining collar position.

### Included Components



Bell  
Assembly



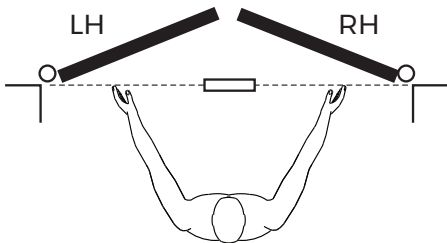
Striker  
Assembly



Collar

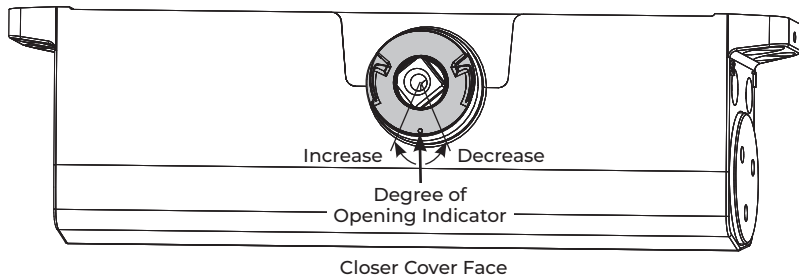
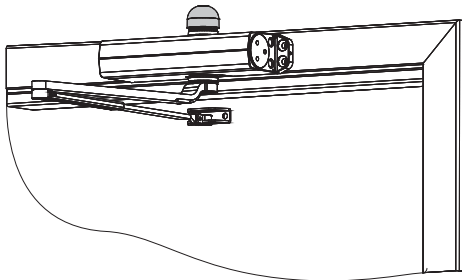


Alcohol  
Wipe



**Determine Collar Position:**

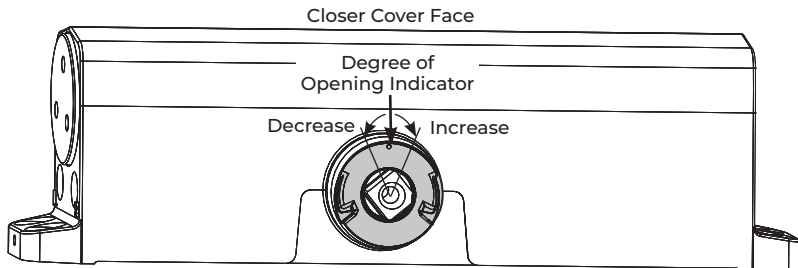
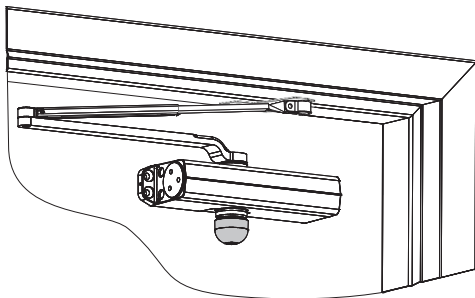
Right Hand Door  
Top Jamb Mounting



## Determine Collar Position:

Right Hand Door

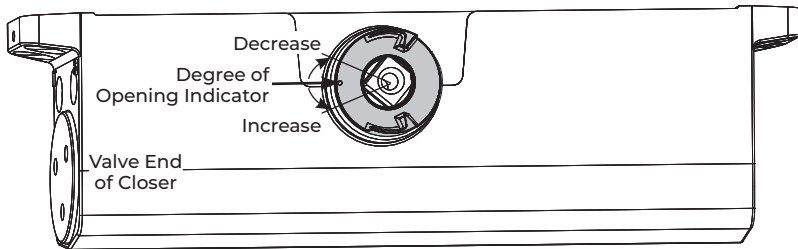
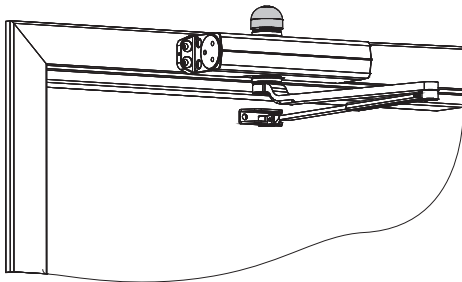
Parallel Arm Mounting



**Determine Collar Position:**

Left Hand Door

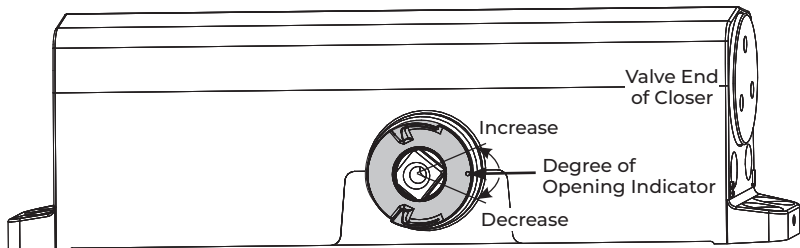
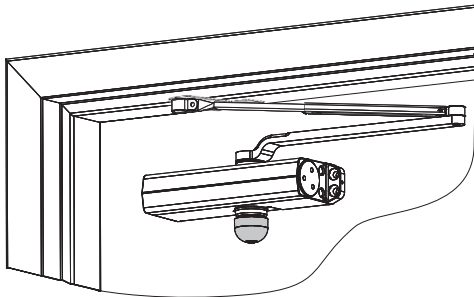
Top Jamb Mounting



## Determine Collar Position:

Left Hand Door

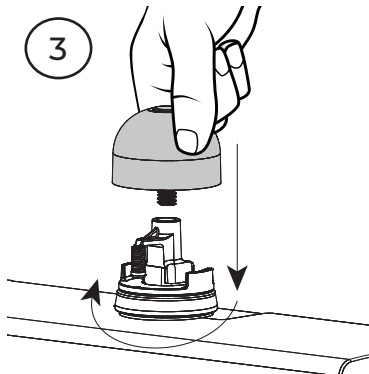
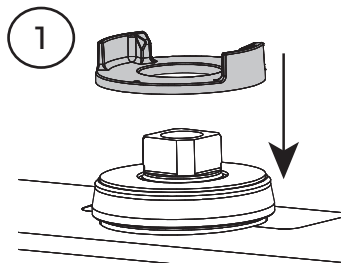
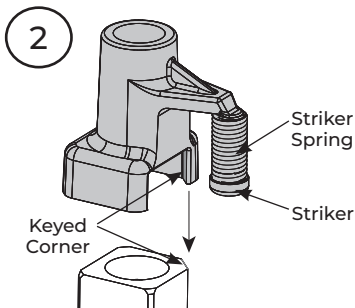
Parallel Arm Mounting



## NorBell Installation

### IMPORTANT!

- Clean surface with alcohol wipe before installing collar.
- Collar position can not be changed after install.
- Over-tightening bell may cause damage to product.



Technical Product Support:  
Monroe, NC 28112 USA  
Phone: 877.974.2255 ext: 2  
Techsupport.NortonRixson@assaabloy.com  
NortonRixson.com

**Scan the QR code below for additional  
information and documentation:**



Norton Rixson is a brand associated with ASSA ABLOY Accessories and Door Controls Group, Inc., an ASSA ABLOY Group company. Copyright © 2025, ASSA ABLOY Accessories and Door Controls Group, Inc. All rights reserved. Reproduction in whole or in part without the express written permission of ASSA ABLOY Accessories and Door Controls Group, Inc. is prohibited

**Approved 2025-12-17**