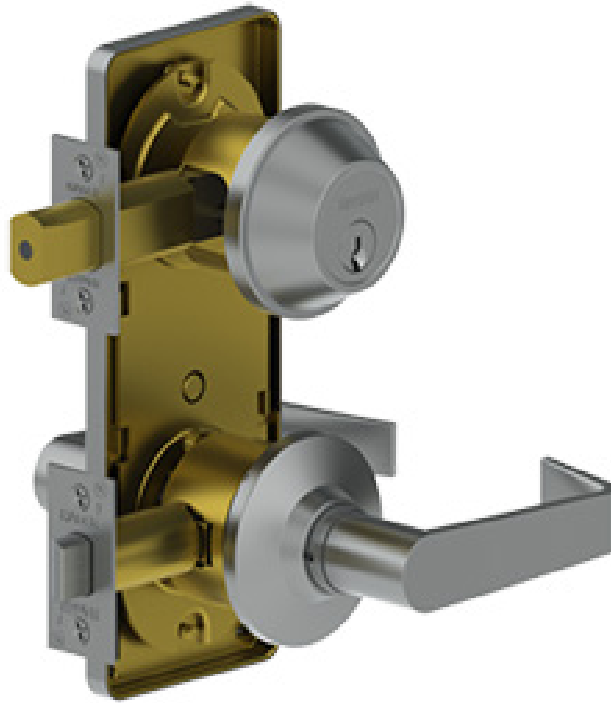
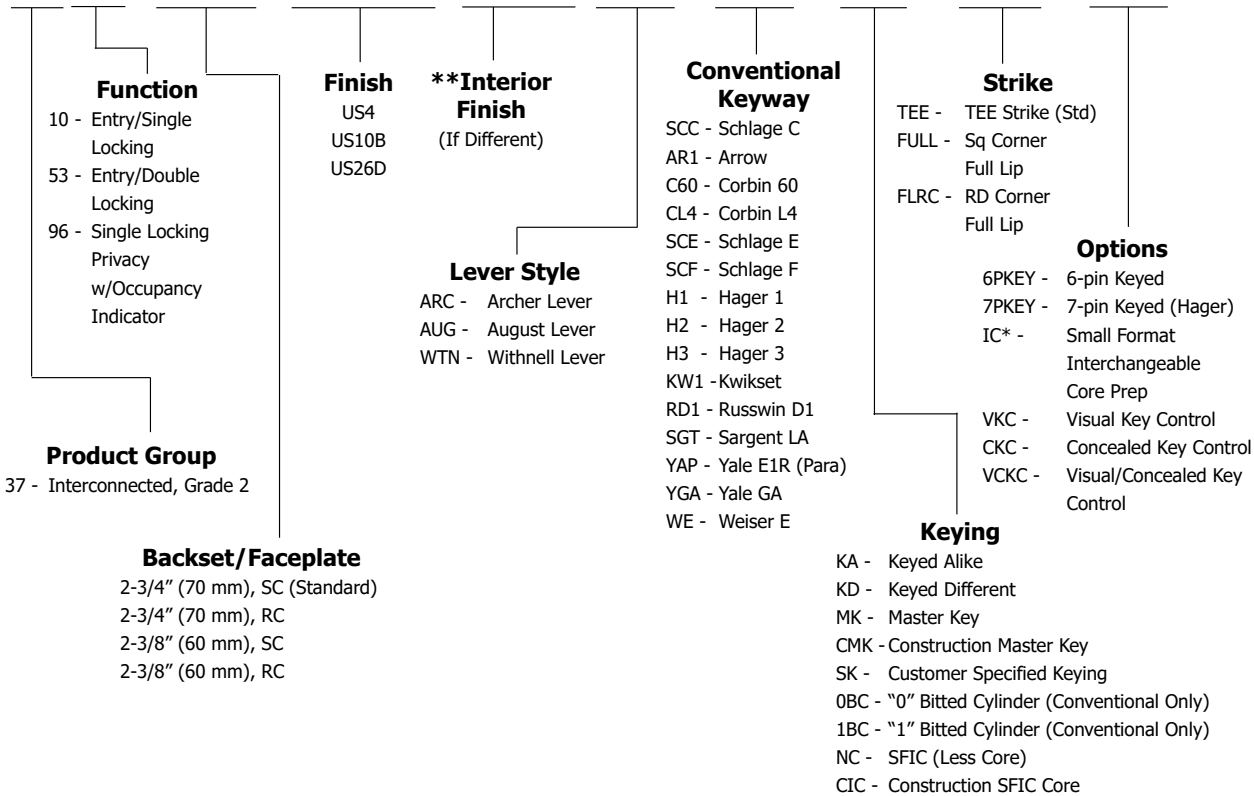


Hager 3700 Series Grade 2 interconnected lock is a perfect match for residential or commercial applications such as apartment buildings and assisted living facilities. These versatile locks provide a single action for retracting the latchbolt and deadbolt simultaneously for panic-free egress. They are supplied with an optional exterior escutcheon plate standard and are backed by a lifetime warranty.



3700 Series - How To Order

3710 2-3/4" US26D US26 ARC SCC KD TEE -



Notes:

1. If masterkeyed, include completed master key form with order (available on page 90 or www.hagerco.com).
2. For additional keying information, please refer to Cylinder, Core & Keying section of catalog (page 75).

* Small format interchangeable core sold separately. Available in Best Keyways (A Standard) or Hager Keyways (optional).

Ordering example (Less SFIC Core): 3710 2-3/4" US26D WTN NC TEE IC

Ordering example (const. core included): 3710 2-3/4" US26D WTN CIC TEE IC7 BLU

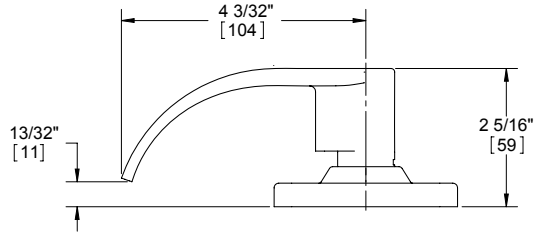
** Contact factory for lead time and availability before ordering

3700 SERIES FUNCTION CHART

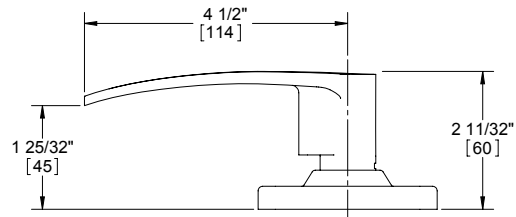
Function	Function No.	Function Description	ANSI No.
Interconnected			
	10	Deadbolt thrown or retracted by key outside or by inside thumbturn. Bolt automatically deadlocks when fully thrown. Latchbolt retracted by lever from either side. Inside lever retracts deadbolt and latchbolt simultaneously for immediate exit.	F95
	96	Deadbolt thrown or retracted by thumbturn inside or retracted by emergency key outside. Bolt automatically deadlocks when fully thrown. Rotating thumbturn changes visual message on outside from "Vacant" to "In Use". Latchbolt retracted from either side. Inside lever retracts deadbolt and latchbolt simultaneously for immediate exit.	

3700 Series - Lever Options

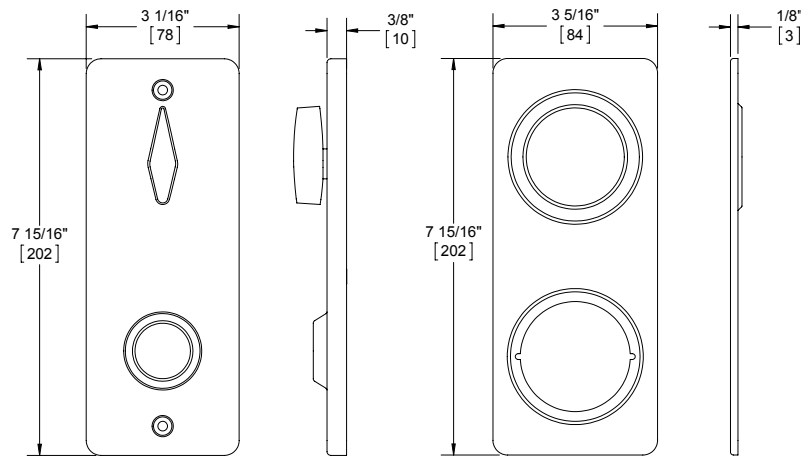
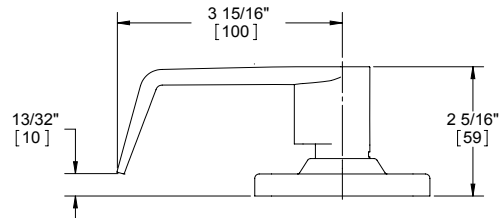
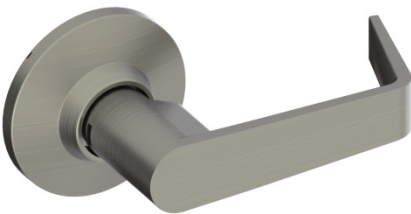
ARCHER LEVER



AUGUST LEVER



WITHNELL LEVER



INSIDE ESCUTCHEON

OPTIONAL OUTSIDE ESCUTCHEON

3700 Series - Grade 2 Interconnected - Medium Duty Commercial

WARRANTY

Lifetime warranty

FEATURES

- Cylindrical chassis
- Non-handed
- Conventional cylinder or Small Format Interchangeable Core option available

Certifications:

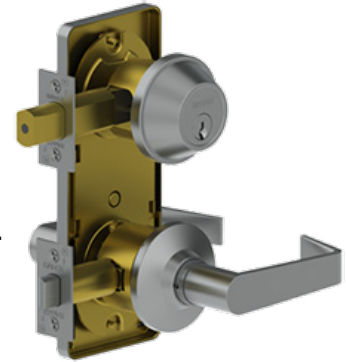
- BHMA Certified ANSI A156.12 Grade 2
- ADA Compliant ANSI A117.1 Accessibility Code
- 3710 and 3753 functions UL/cUL Listed up to 3 hours for "A" label single doors.
- UL10C Positive Pressure Rated

Lever Options:

Archer, August, Withnell levers

Options:

- Split finish (Contact Customer Service for availability)



SPECIFICATIONS

Standard Door

- 4" (102 mm) center of deadbolt to center of lock chassis
- 2-1/8" (54 mm) diameter (bore)

Prep:

- Latch hole: 1" (25 mm) diameter (cross bore)

Exposed Trim:

Wrought brass or bronze, cast zinc lever

Rose Diameter:

2-1/2" (63 mm)

FINISHES

US4, US10B, US26D

Lock Chassis:

- Heavy gauge steel, zinc dichromated
- Thru-bolt mounting
- "Non-clutching" exterior lever

Outside

Escutcheon:

3-5/16" x 7-15/16" x 3/8" (84 mm x 202 mm x 10 mm)

Inside

Escutcheon:

3-1/16" x 7-15/16" x 1/8" (78 mm x 202 mm x 3 mm)

Keys:

Two operating keys supplied per lock

Cylinders/Cores:

- Brass - keyed different - Schlage C Keyway - Standard
- Cylinder drilled 6-pin, keyed 5-pin - Standard
- Other keying options, including keyed 6-pin, available from the factory (see cylinder, cores and keying section)
- Zero bit cylinders will be 6 pin keyed - standard
- Small Format Interchangeable Core option available
- SFIC uncombined or combined, brass 6- or 7-pin cores sold separately

Door Thickness:

- 1-3/8" - 1-3/4" (35 mm - 45 mm) - Standard
- 2" (52 mm) doors - Optional

Backsets:

- 2-3/4" (70 mm) - Standard
- 2-3/8" (60 mm) - Optional

Latchbolt:

- 1/2" (13 mm) Throw - stainless steel
- 1-1/8" x 2-1/4" (29 mm x 57 mm) faceplate for 2-3/4" (70 mm) backset
- 1" x 2-1/4" (25 mm x 57 mm) faceplate for 2-3/8" (60 mm) backset
- Deadlocking latchbolt prevents manipulation when door is closed; keyed functions only
- Square corner faceplate standard, round corner available

Deadbolt:

- 1" (25 mm) Throw - brass with concealed steel roller to prevent sawing or cutting
- 1-1/8" x 2-1/4" (29 mm x 57 mm) faceplate for 2-3/4" (70 mm) bracket
- 1" x 2-1/4" (25 mm x 57 mm) faceplate for 2-3/8" (60 mm) faceplate

Strikes:

- 3933 square corner t-strike with plastic dust box, 1-1/8" x 2-3/4" (29 mm x 70 mm) - Standard
- 3930 square corner strike plate with dust box, 1-1/8" x 2-3/4" (29 mm x 70 mm) - Standard

Functions:

- 10 Single Locking Entry
- 96 Single Locking Privacy w/indicator

3700 Series - Latchbolts

Spring Latches



- 3947**
2-3/4" (70 mm) Backset
Passage Spring Latch
- Square and round corner available
 - 1-1/8" x 2-1/4" (29 mm x 57 mm) faceplate



- 3949**
2-3/8" (60 mm) Backset
Passage Spring Latch
- Square and round corner available
 - 1" x 2-1/4" (25 mm x 57 mm) faceplate

Dead Latches



- 3948**
2-3/4" (70 mm) Backset
Dead Latch - Standard
- Square and round corner available
 - 1-1/8" x 2-1/4" (29 mm x 57 mm) faceplate

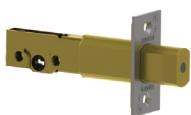


- 3950**
2-3/8" (60 mm) Backset
Dead Latch
- Square and round corner available
 - 1" x 2-1/4" (25 mm x 57 mm) faceplate

3700 SERIES DEADBOLTS



- 3920**
2-3/4" (70 mm) Backset
Tapered Deadbolt - Standard
- Square and round corner available
 - 1-1/8" x 2-1/4" (29 mm x 57 mm) faceplate



- 3921**
2-3/8" (60 mm) Backset
Tapered Deadbolt
- Square and round corner available
 - 1" x 2-1/4" (25 mm x 57 mm) faceplate

3700 Series - Strikes



- 3930**
Strike Plate
 1-1/8" x 2-3/4" (29 mm x 70 mm)



- 3933**
T-Strike with Plastic Dust Box
 1-1/8" x 2-3/4" (29 mm x 70 mm)



- 3934**
Full Lip Strike
 1-5/8" x 2-1/4" (41 mm x 57 mm)



- 3958**
Round Corner Full Lip Strike
- 1-5/8" x 2-1/4" (41 mm x 57 mm)
 - 1/4" (6 mm) radius



- 3959**
Faceplate Adapter
 Converts 1" (25 mm) to 1-1/8" (28 mm) width