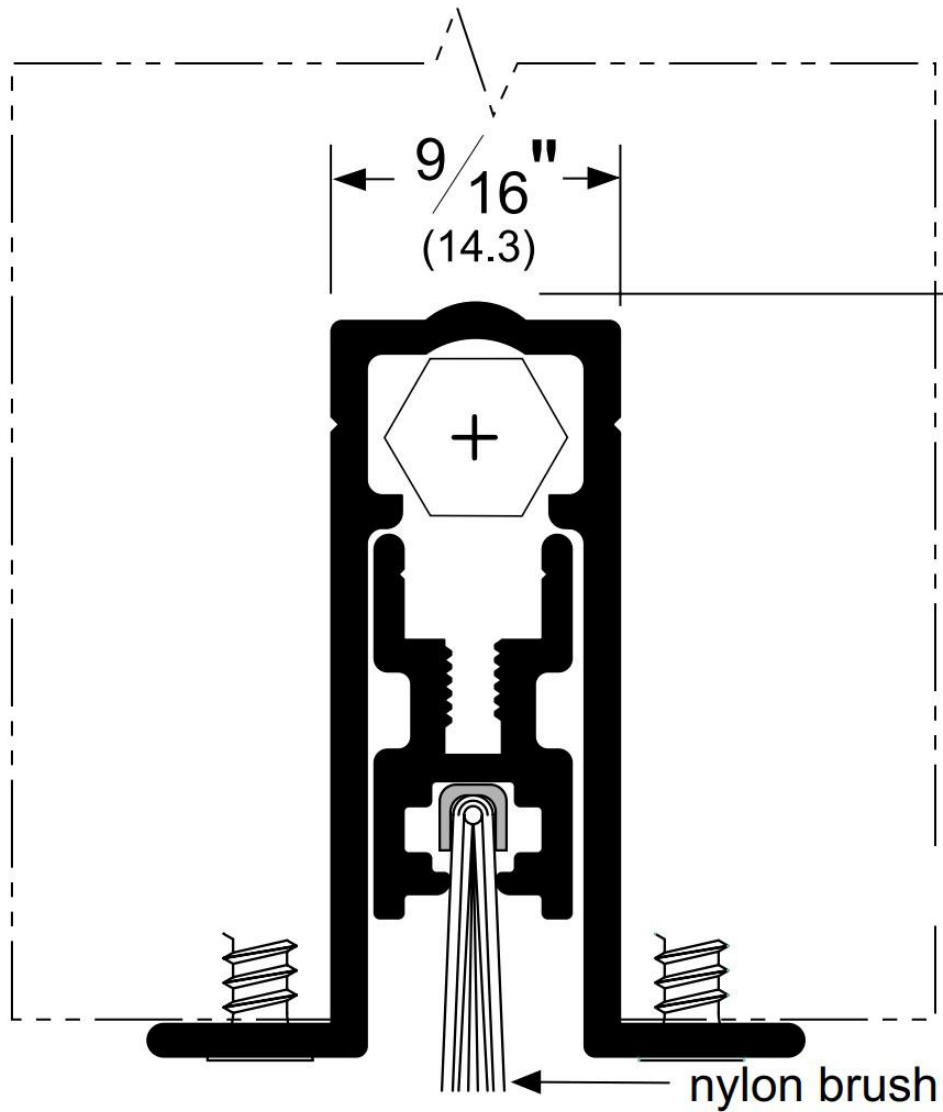




**Trademark**  
SOUNDPROOFING

## PRODUCT SPECS



**SKU: P411ANBL**

