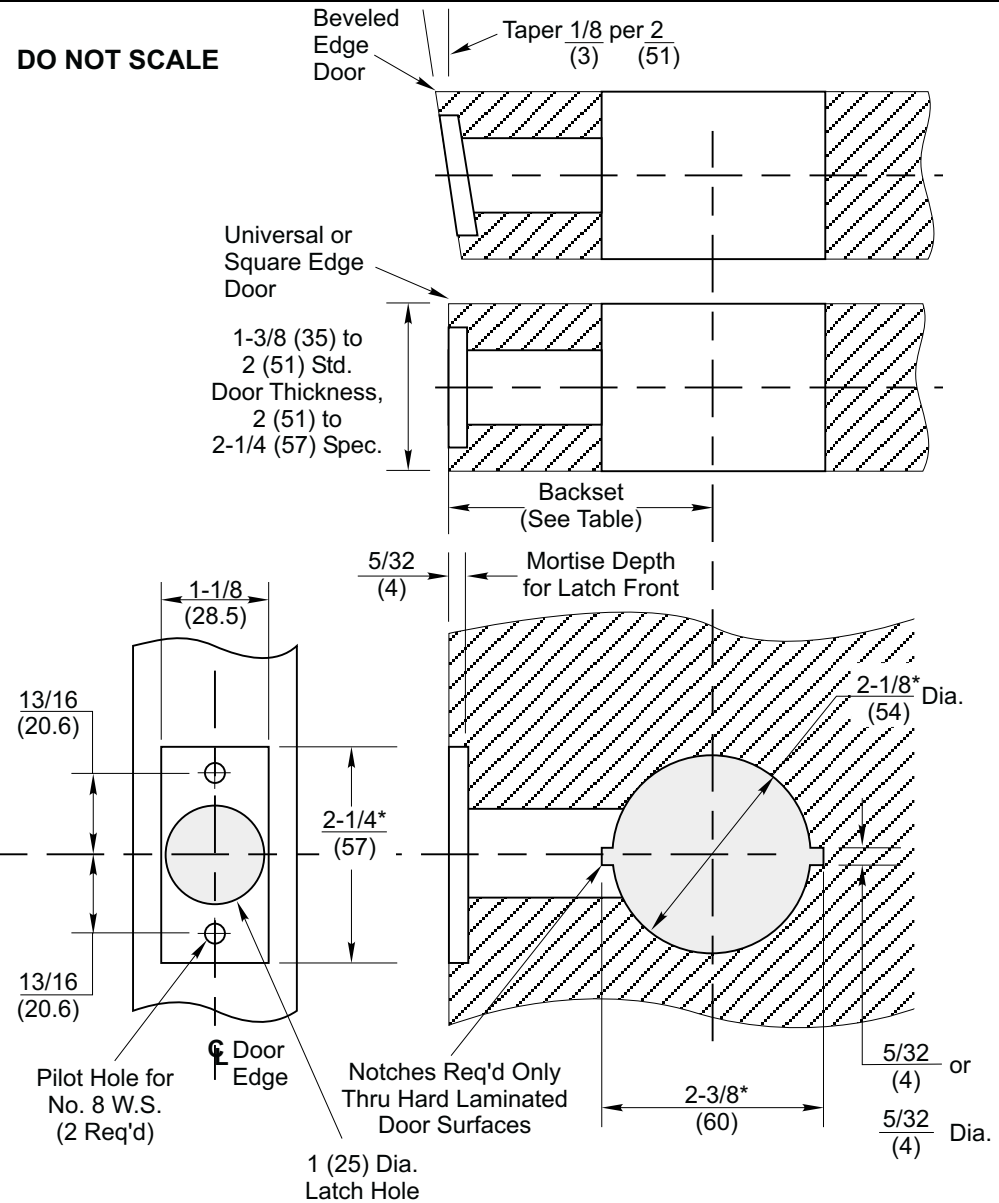


| Backset       | 1/2" Throw      |          | 5/8" Throw      |          | 3/4" Throw        |          |
|---------------|-----------------|----------|-----------------|----------|-------------------|----------|
|               | Latch No.       | Link No. | Latch No.       | Link No. | Latch No.         | Link No. |
| 2-3/4<br>(70) | 493 or<br>494   | -        | 478 or<br>480   | -        | 478A or<br>480B   | -        |
| 3-3/4<br>(95) | 3493 or<br>3494 | -        | 3478 or<br>3480 | -        | 3478A or<br>3480B | -        |
| 5<br>(127)    | 493 or<br>494   | 481      | 478 or<br>480   | 481      | 478A or<br>480B   | 481      |
| 6<br>(152)    | 3493 or<br>3494 | 481      | 3478 or<br>3480 | 481      | 3478A or<br>3480B | 481      |
| 7<br>(178)    | 493 or<br>494   | 482      | 478 or<br>480   | 482      | 478A or<br>480B   | 482      |
| 8<br>(203)    | 3493 or<br>3494 | 482      | 3478 or<br>3480 | 482      | 3478A or<br>3480B | 482      |
| 18<br>(457)   | 493 or<br>494   | 484      | 478 or<br>480   | 484      | 478A or<br>480B   | 484      |
| 19<br>(483)   | 3493 or<br>3494 | 484      | 3478 or<br>3480 | 484      | 3478A or<br>3480B | 484      |

**Notes:**

1. When ANSI A115.2 (Fig. 1) Strike is specified, refer to Yale No. 497 Strike, Template No. 7102-0003.
2. When ANSI A115.2 (Fig. 2) Strike is specified, refer to Yale No. 495 Strike, Template 7102-0005.
3. Dimensions marked with \* have tolerances of +1/32, -0.
4. All dimensions given in inches (mm).



**5400 & 5500 Series Cylindrical Locks (Knob Trim)  
Wood Door Preparation (ANSI A115.2) (FIG. 1)  
2-3/4" and Optional Backsets**

**Yale**  
Yale Commercial Locks and Hardware  
www.yalecommercial.com

|                  |             |
|------------------|-------------|
| TEMPLATE NUMBER  | DATE        |
| <b>7150-0059</b> | <b>9-96</b> |