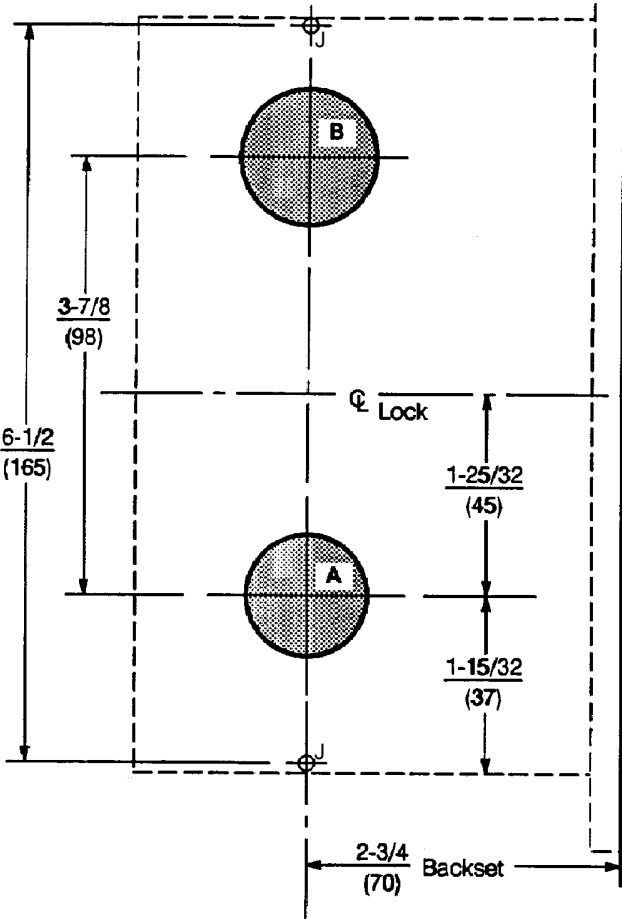


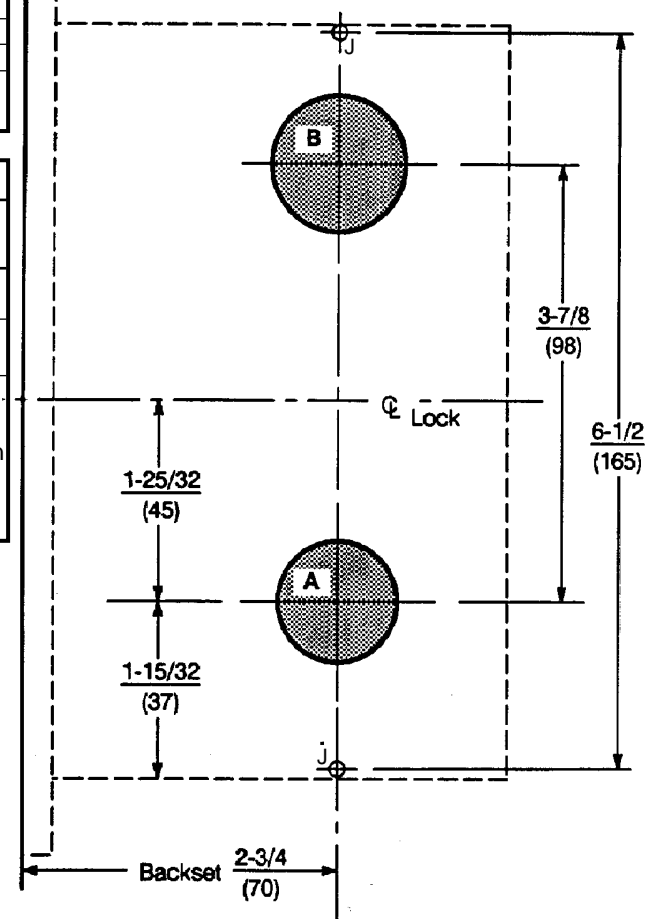
**DO NOT SCALE**



Outside - LH & LHR  
Inside - RH & RHR

Lock Function				Holes in Door	
4600	8600	8700	8800	Thru Bolt Escutcheon	
				Outside	Inside
			8823	A,B,J	None
			8829	A,B,J	None
			8814	A,J	None
		8728	8828	None	A,J
	8633			B Only	A,J
	8634			B Only	A,B,J
	8634-2			B Only	A,B,J

Hole Chart			
Hole	Size		Used For
	H.M. Door	Wood Door	
A	1-1/8 (29) Dia.	1-1/8 (29) Dia.	Knob
B	1-1/4 (32) Dia.	1-1/4 (32) Dia.	Cylinder
J	.152 (3.9) Dia. #24 Drill	11/64 x 1 (4.4 x 25) Dp. C'bore 1/2 x 1/8 (13 x 3) Dp.	1/2 Pair Thru Bolt Escutcheon Attaching Screws



Outside - RH & RHR  
Inside - LH & LHR

**Notes:**

1. CO and WG 1/2 Trim Escutcheon Plates cannot be used on H.M. doors.
2. Dimensions given in inches (mm).



**All Series Mortise Locks**  
Wood or H.M. Door Preparation  
Escutcheon Plate Trim, 1/2 Trim

**Yale**  
Yale Commercial Locks and Hardware  
www.yalecommercial.com

TEMPLATE NUMBER	DATE
<b>7086-1202</b>	<b>1-06</b>