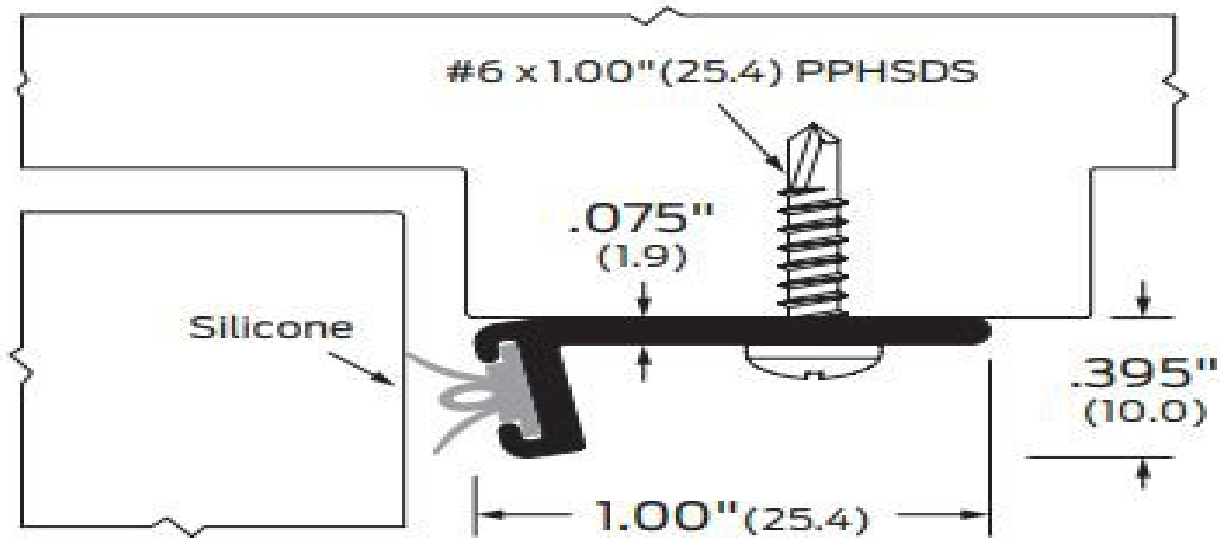




**TRADEMARK
HARDWARE**

WORLD OF QUALITY HARDWARE

PRODUCT SPECS



Certifications:	ANSI/BHMA:
Fire rated-UL10c	100A, 100BK, 100D, 100G
Air Infiltration (as head & jamb)	R3E164, R3E734

BHMA
CERTIFIED

SKU: Z100MS



www.tmhardware.com



845-388-1300



845-388-1388



sales@tmhardware.com