

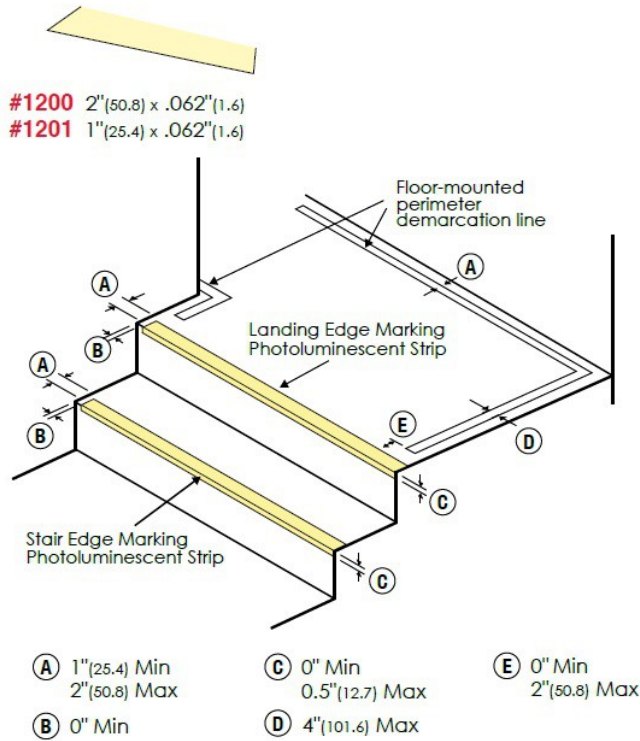


**Trademark
HARDWARE**

PRODUCT SPECS

STAIR & LANDING EDGE MARKING

For existing and new buildings.
Identifies the limits of steps and leading edge of landings.

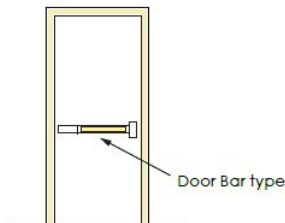


DOOR HARDWARE MARKING

Door Bar Type

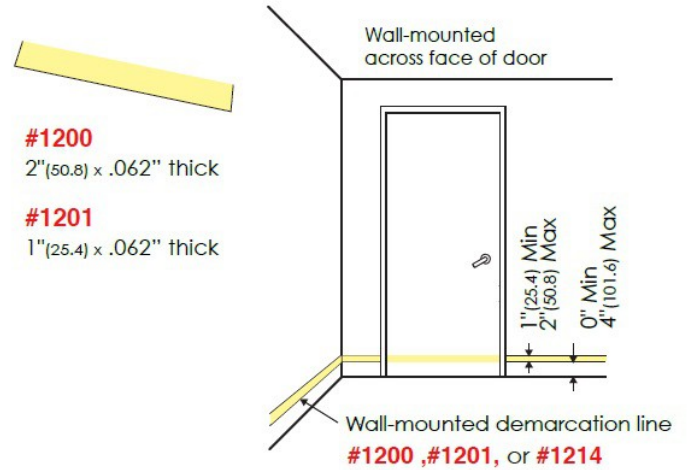


#1201 1"(25.4)



FLOOR DEMARCATION LINES

Suitable for both wall and floor-mounted applications.

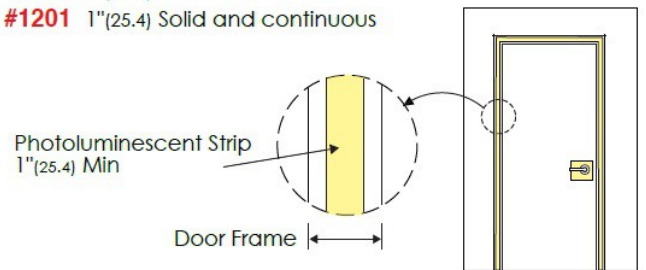


EXIT DOOR FRAME KIT

Required for intermediate and final exit doorways.



#1200 2"(50.8) Solid and continuous
#1201 1"(25.4) Solid and continuous



SKU: Z1200