

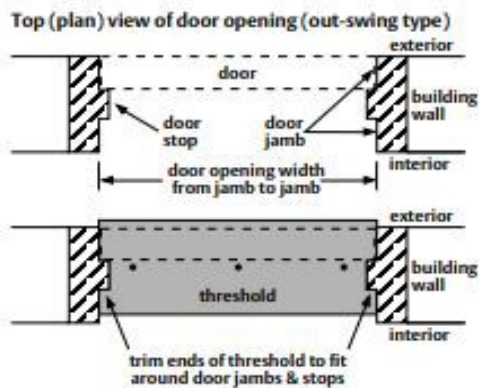


# TRADEMARK HARDWARE

WORLD OF QUALITY HARDWARE

## Installation Instructions:

1. Measure width of door opening from jamb to jamb and stop to stop and mark ends of threshold for trimming.
2. Trim ends of threshold to fit around door jambs and stops. Position threshold so that vinyl seal contacts face of door along entire width when door is closed (see below illustration).
3. Drill pilot holes in floor through pre-drilled holes in threshold.
4. Caulk ends of threshold, and under full length of legs (important for effective sealing and moisture control).
5. Secure threshold to floor with supplied screws. (When fastening to concrete, use anchors; anchors not included.)



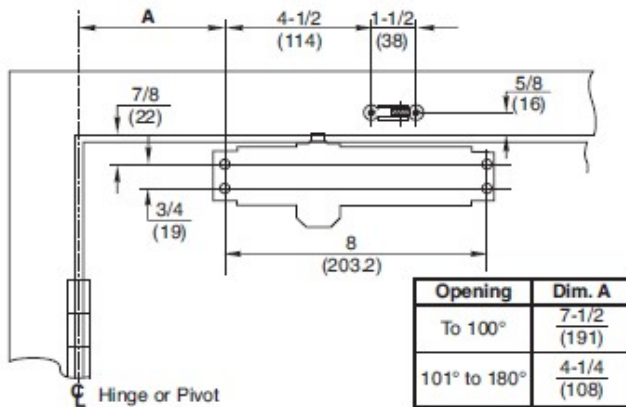
## Tools Required:



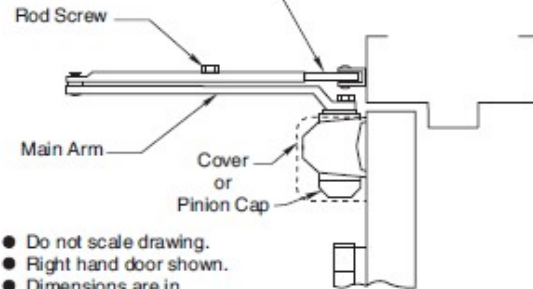


## Installation Instructions

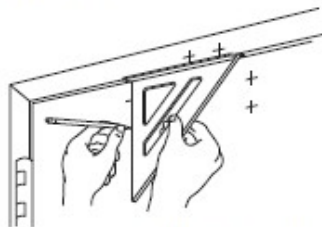
## Regular Arm Mount



Opening	Dim. A
To 100°	7-1/2 (191)
101° to 180°	4-1/4 (108)



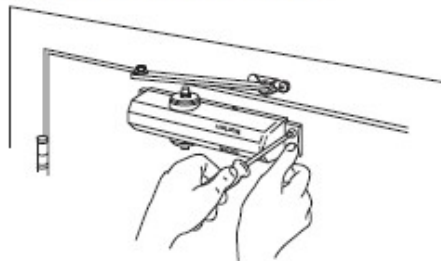
- Do not scale drawing.
- Right hand door shown.
- Dimensions are in inches (mm).



**Select door opening angle.** Use template to locate holes on door and frame:

**4 on door** for closer. **2 on frame** face for arm shoe.

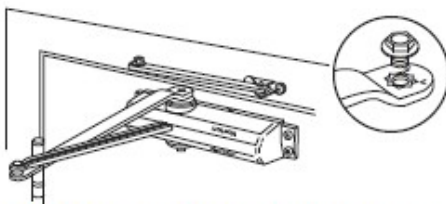
**Prepare for fasteners.** See Chart on Page 2.



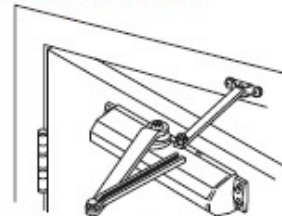
**Remove rod and shoe from arm assembly.**

**Mount rod and shoe to frame.** (Long end of shoe toward hinge.)

**Mount closer to door.** Place end with two regulating valves toward hinge edge of door.

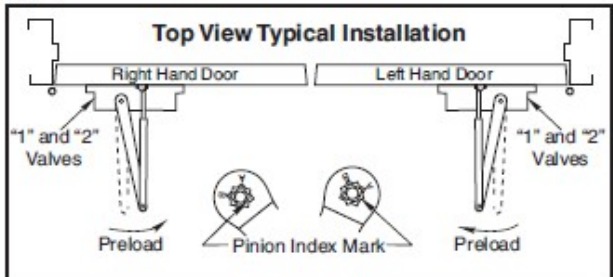


**Install main arm on closer.** Place arm on pinion at 90° angle (perpendicular) to frame, see "Typical Installation" chart below. Fasten with arm screw.



**Open door slightly.** Align and insert adjusting rod into adjusting tube. Close door. Adjust forearm at 90° angle (perpendicular) to door. Tighten rod screw.

**Adjust closer.** See Page 3 ... Then install pinion cap or cover.



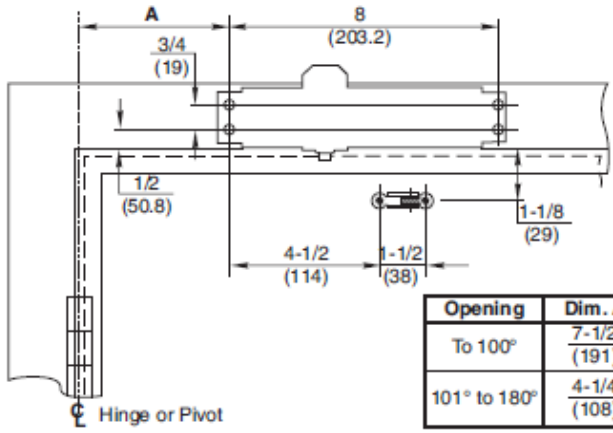
Fasteners Chart		
	Fasteners	Door or Frame
Standard	#14 type "A" sheet metal screw	Wood
	1/4" - 20 machine screw	Metal
Optional	Sex nuts and bolts	Hollow-Metal
		Aluminum or Wood
	Through-bolts and grommet-nuts	All



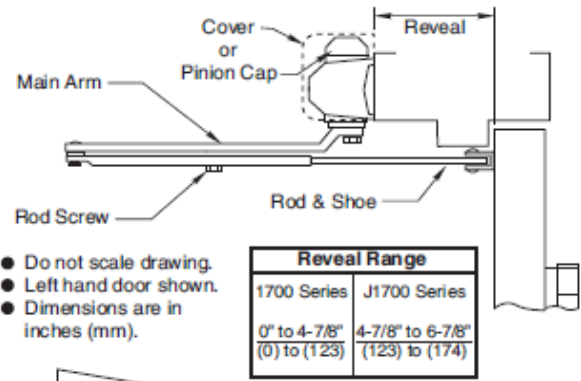


## Installation Instructions

## Top Jamb Mount

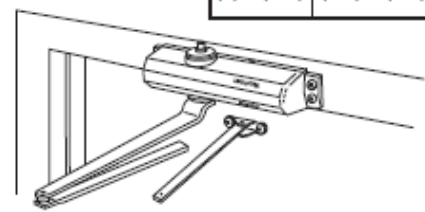
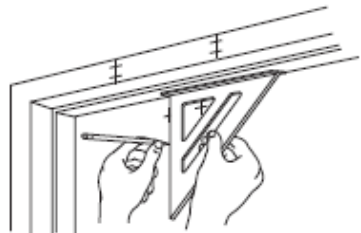


Opening	Dim. A
To 100°	7-1/2 (191)
101° to 180°	4-1/4 (108)



- Do not scale drawing.
- Left hand door shown.
- Dimensions are in inches (mm).

Reveal Range	
1700 Series	J1700 Series
0" to 4-7/8" (0) to (123)	4-7/8" to 6-7/8" (123) to (174)



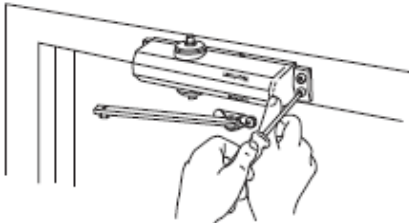
**Select door opening angle.** Use template to locate holes on door and frame:

**4 on frame face for closer. 2 on door for arm shoe.**

**Prepare for fasteners.** See Chart on Page 2.

**Remove rod and shoe from arm assembly.**

**Mount rod and shoe to door.** (Long end of shoe toward hinge).

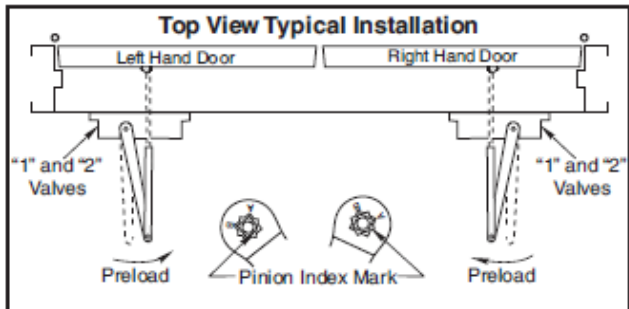


**Install main arm on closer.** Place arm on pinion at 90° angle (perpendicular) to frame, see "Typical Installation" chart below.

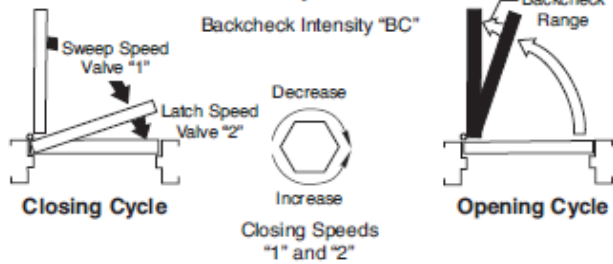
**Reassemble arm.** Adjust forearm at 90° angle (perpendicular) to door. Tighten rod screw.

**Adjust closer.** See below.

**Mount closer to frame.** Place end with two regulating valves toward hinge edge of door.



### Valve Adjustments



**Closing power adjustment.** To increase power at "latch" by 15% refer to "Arm Shoe Adjustment" for Regular Arm or for Top Jamb installations only.

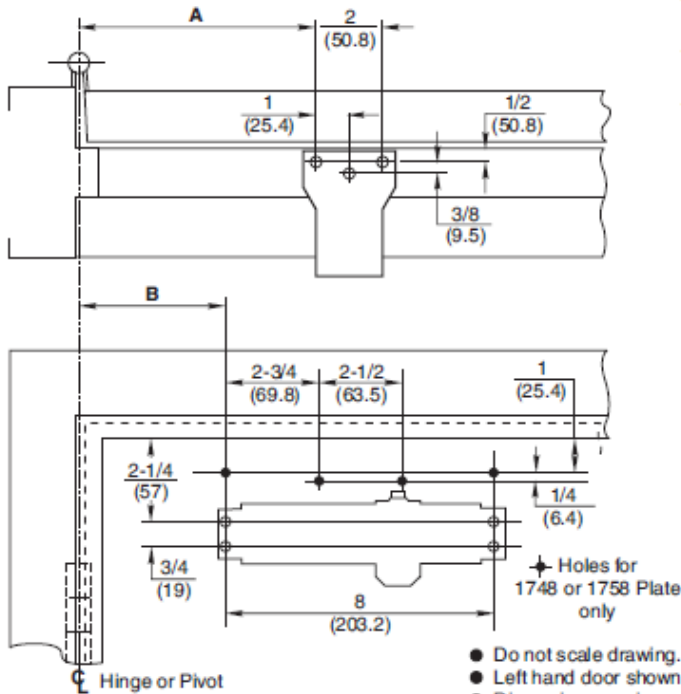
**Closing speed** controlled by valve marked "1" (sweep range) and by valve marked "2" (latch range).

**Backcheck Model Closers only** suffix "BC". Backcheck controlled by valve "BC". **Never close "BC" valve completely.**



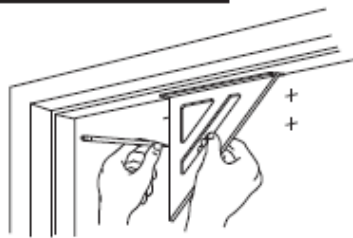
## Installation Instructions

## Parallel Arm Mount



- Do not scale drawing.
- Left hand door shown.
- Dimensions are in inches (mm).

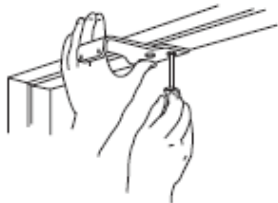
Opening	Dim. A	Dim. B
To 100°	9-7/8 (251)	7-1/4 (184)
101° to 180°	7-1/8 (181)	4-1/4 (108)



**Select door opening angle.** Use template to locate holes on door and frame:

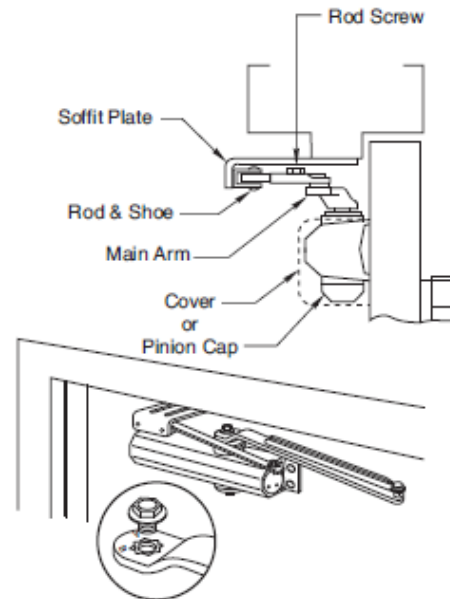
- 4 on door for closer (or drop plate).
- 3 on frame for soffit plate.

**Prepare for fasteners.** See Chart on Page 2.



**Mount soffit plate to frame.**

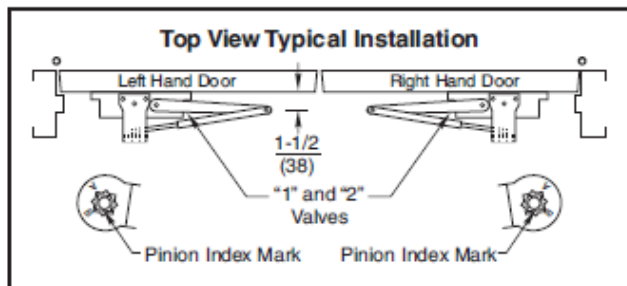
- Remove rod and shoe from arm assembly.
- Fasten rod and shoe to soffit plate.
- Mount closer or drop plate and closer to door. Place end with two regulating valves toward lock edge of door.



**Install main arm on closer.** Rotate pinion 45° toward hinge edge of door to align main arm letter "A" (right hand) or "B" (left hand) with Pinion Index Mark, see "Typical Installation" this page. Tighten rod screw.

**Reassemble arm.** Adjust forearm length to set arm elbow about 1-1/2 (38) from door. Tighten rod screw.

**Adjust closer.** See Closer Adjustment on Pages 2 & 3.



### Norton

### ASSA ABLOY

3000 Highway 74 East • Monroe, NC 28112  
Tel: (877)-974-2255 • Fax: (800)-338-0965  
[www.nortondoорcontrols.com](http://www.nortondoорcontrols.com)

