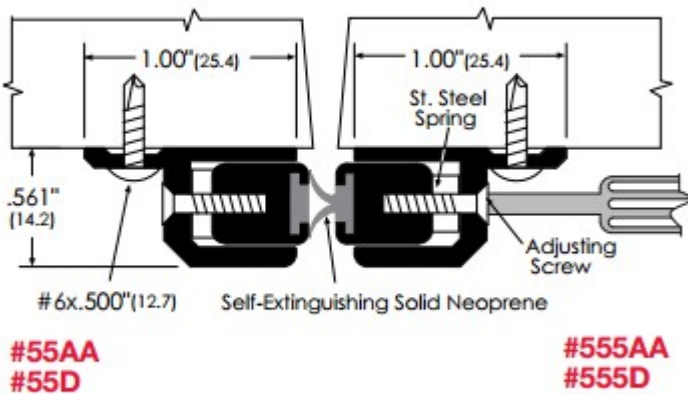




Meeting Stile

Adjustable Surface Astragal



- 1 Cut meeting stile to length. Cut from one end. Maximum cut should not leave less than 1" (25.4mm) to the adjusting screw. If further adjustment needed, cut from the opposite end.
- 2 Position meeting stile pieces on pull side of each door as shown above,
- 3 Secure loosely with mounting screws on top, bottom and center points. Align pieces properly and fasten these screws.
- 4 Install the rest of mounting screws.
- 5 With adjusting screws adjust meeting stile so the neoprenes form a contact seal and allows doors to be closed and latched properly.