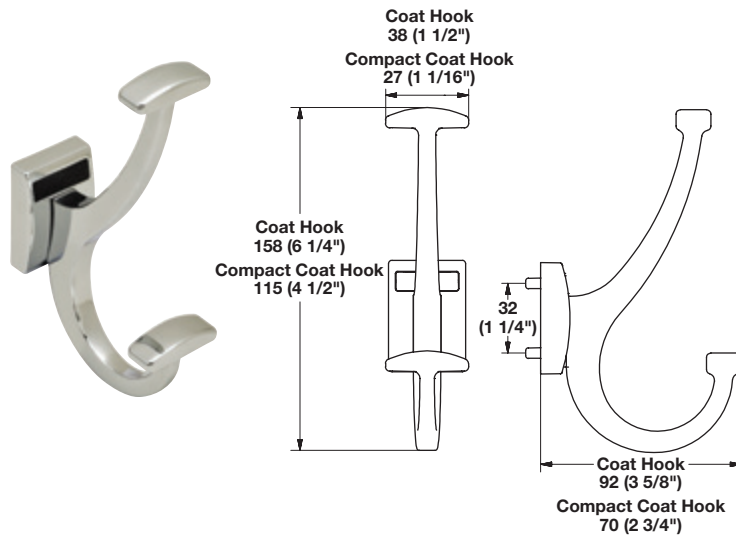




TAG Synergy Elite Cleat System

- Hooks are to be used on customer supplied cleat boards
- There are 5 mm (3/16") pins on back of base to help pre-install by lining up the hooks on the boards
- To secure hook to board, there are two holes for screws with cover caps furnished to conceal from view



Coat Hook

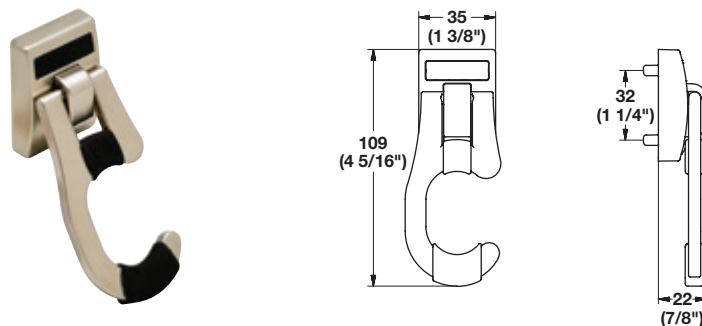
- Cleat mount
 L x W x H: 38 x 92 x 158 mm (1 1/2" x 3 5/8" x 6 1/4")

Material: Zinc

Finish	Coat Hook	Compact Coat Hook
polished chrome	807.69.230	807.69.231
matt aluminum	807.69.030	807.69.031
matt nickel	807.69.630	807.69.631
matt gold	807.69.930	807.69.931
dark oil-rubbed bronze	807.69.130	807.69.131
slate	807.69.330	807.69.331

Supplied With

- Screws
- Cover caps



Broom Hook

- Cleat mount
- For long handle items like brooms and mops
 L x W x H: 35 x 22 x 109 mm (1 3/8" x 7/8" x 4 5/16")

Material: Zinc

Finish	Item No.
polished chrome	807.69.250
matt aluminum	807.69.050
matt nickel	807.69.650
matt gold	807.69.950
dark oil-rubbed bronze	807.69.150
slate	807.69.350

Supplied With

- Screws
- Cover caps

Waterfall Hook

- Cleat mount
- Each hook holds 3 coat hangers
 L x W x H: 95 x 12 x 165 mm (3 3/4" x 1/2" x 6 1/2")

Material: Zinc

Finish	Item No.
polished chrome	807.69.260
matt aluminum	807.69.060
matt nickel	807.69.660
matt gold	807.69.960
dark oil-rubbed bronze	807.69.160
slate	807.69.360

Supplied With

- Screws
- Cover caps



Dimensional data not binding. We reserve the right to alter specifications without notice.

