

SKU: B9117425

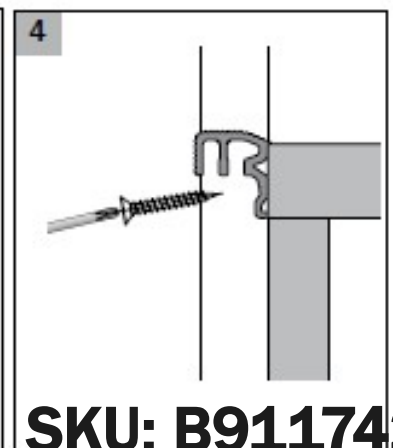
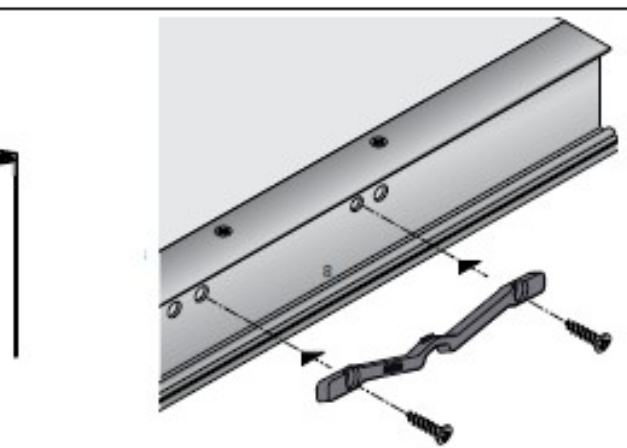
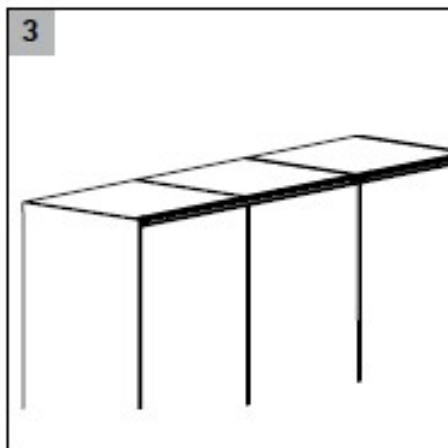
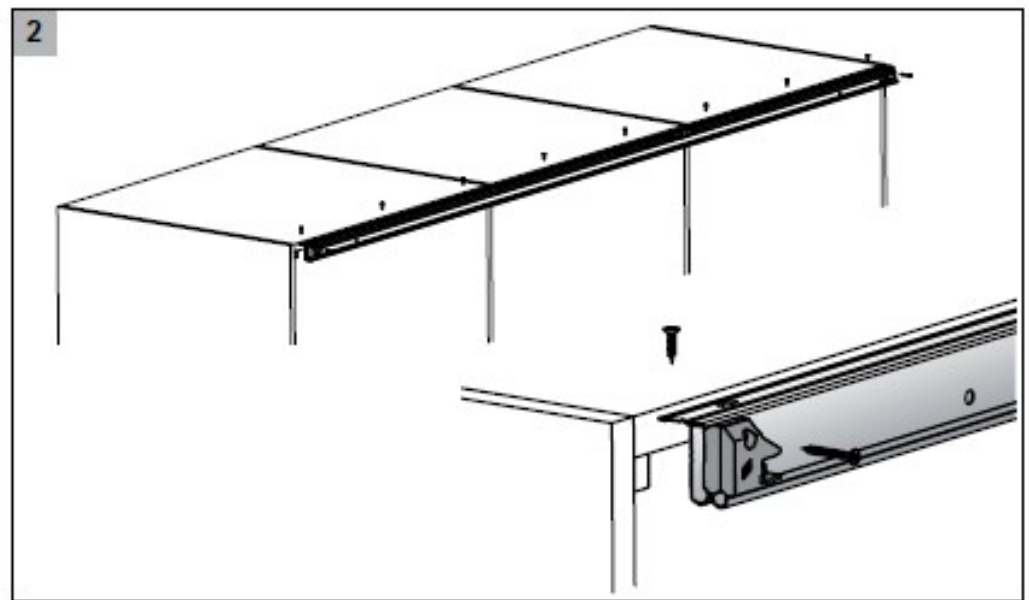
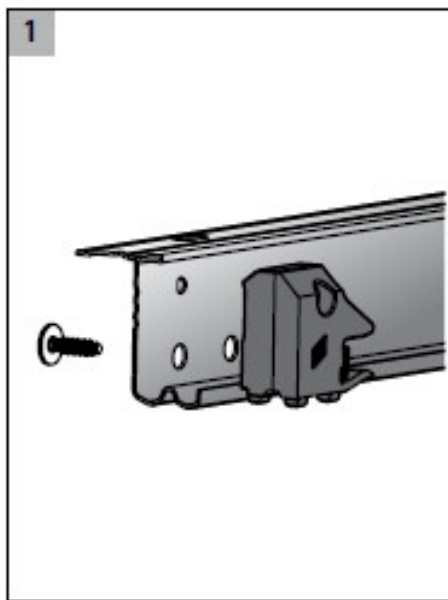
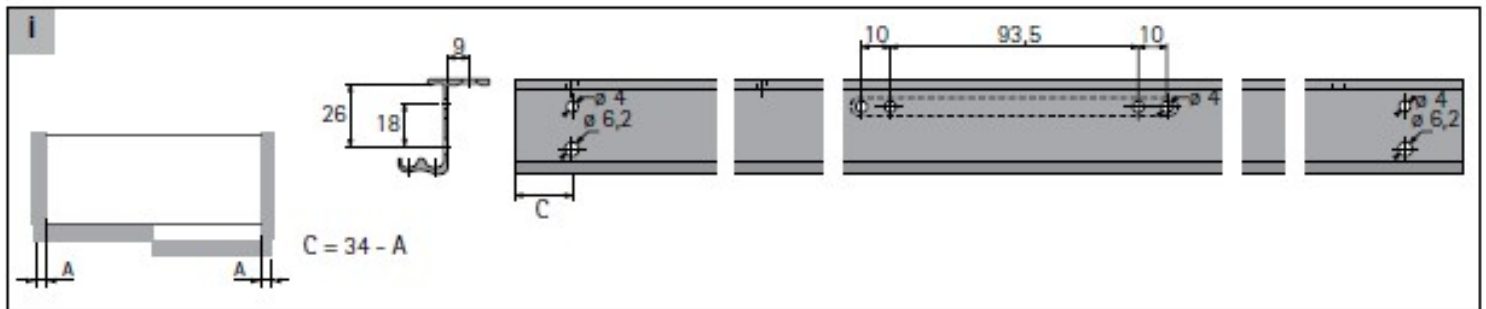
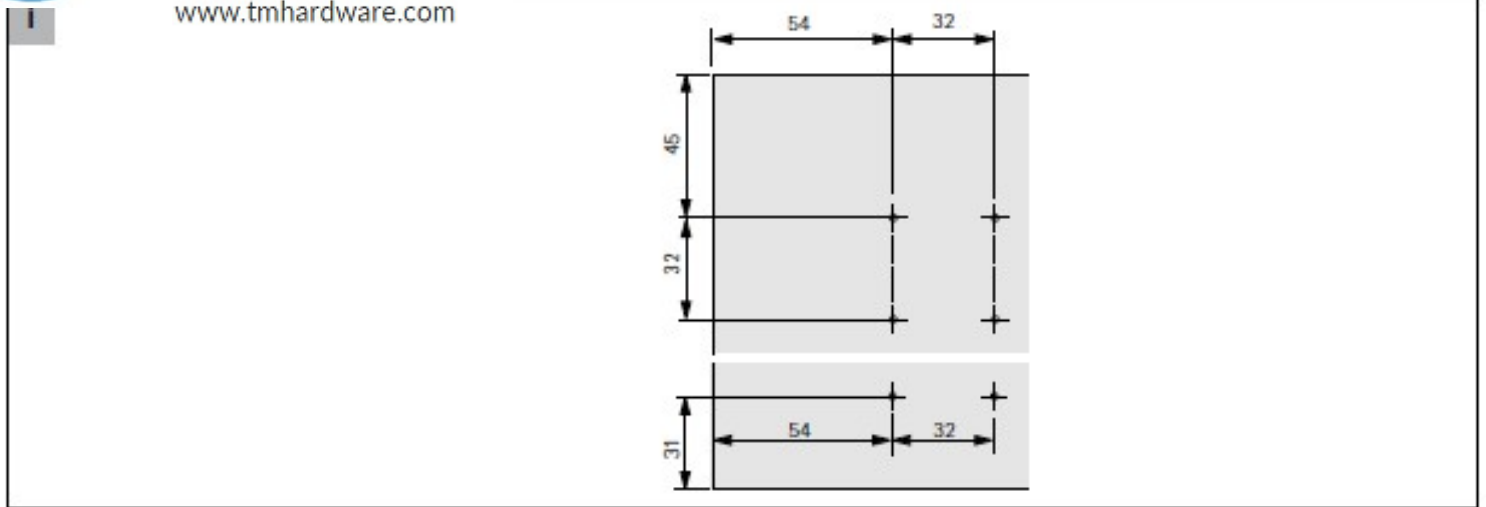


**TRADEMARK
HARDWARE**

WORLD OF QUALITY HARDWARE

www.tmhardware.com

INSTALLATION GUIDE



SKU: B9117425

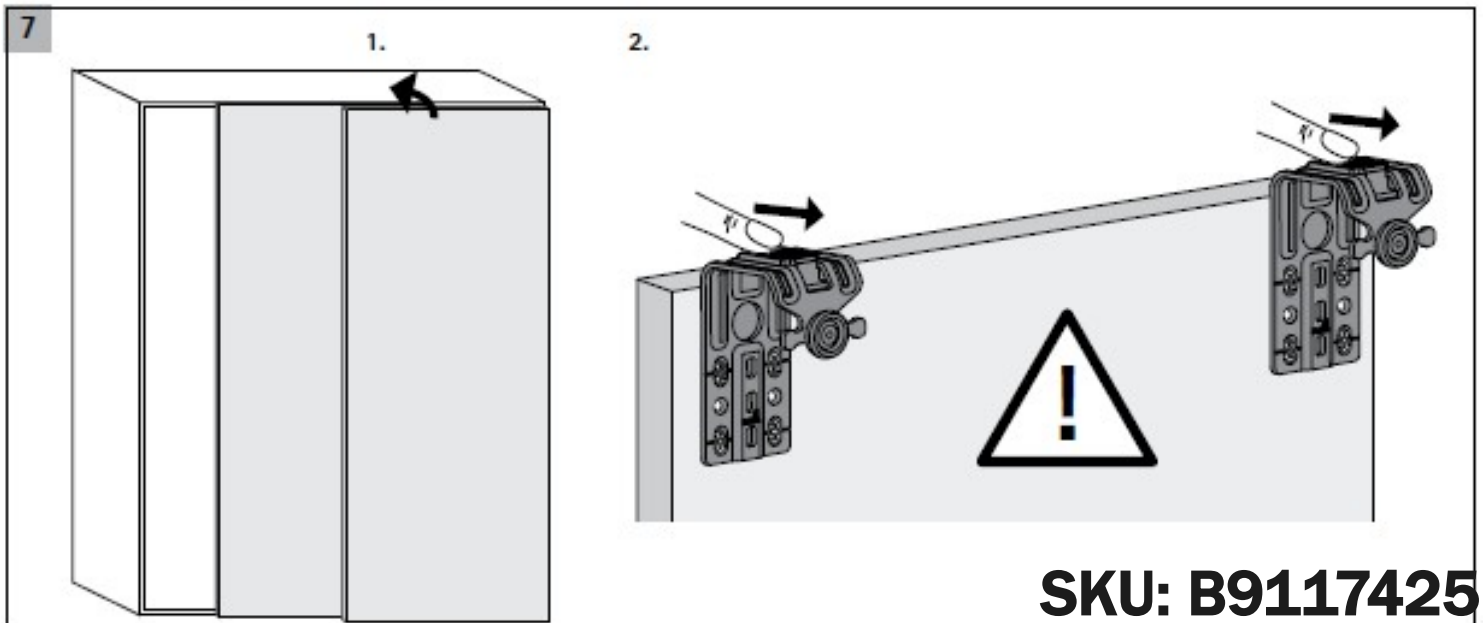
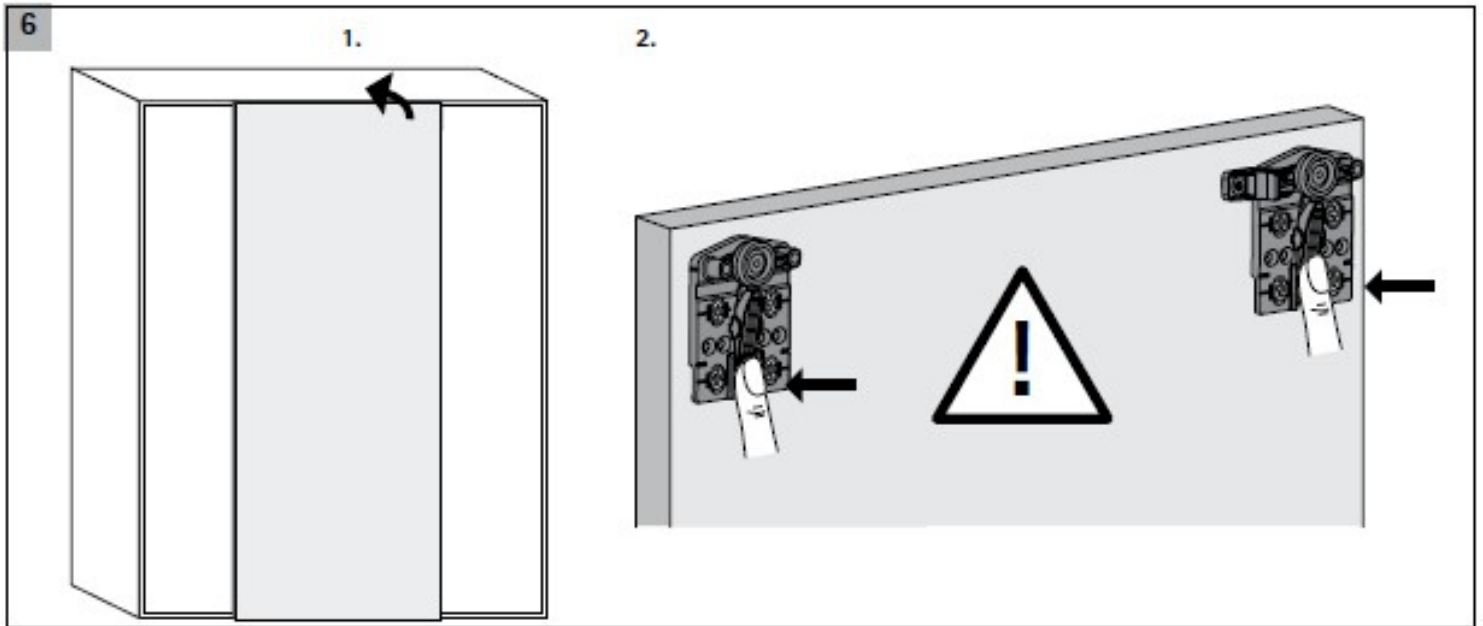
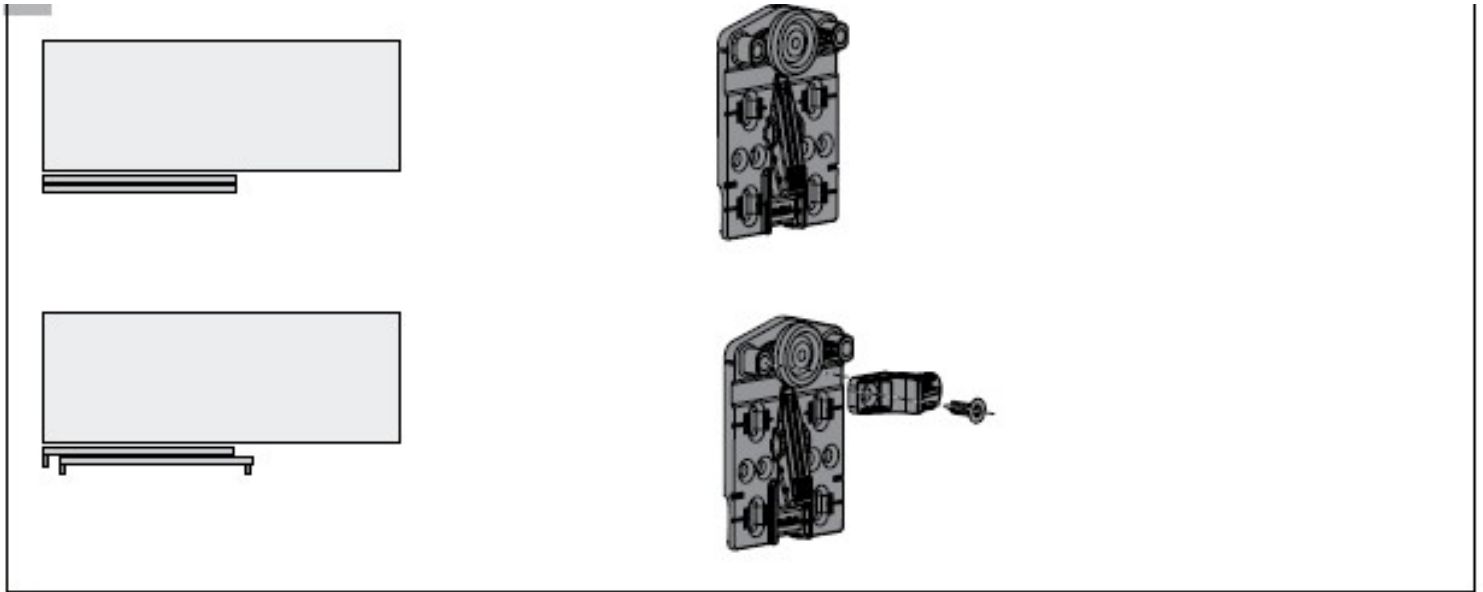


**TRADEMARK
HARDWARE**

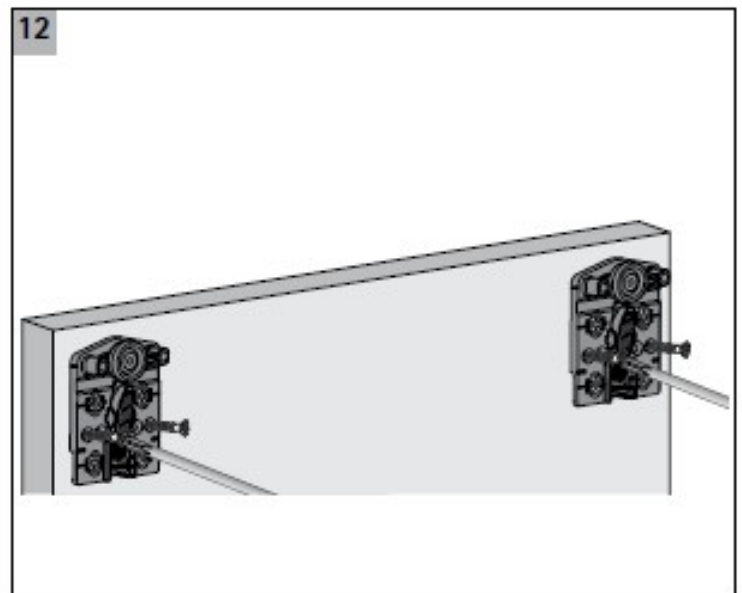
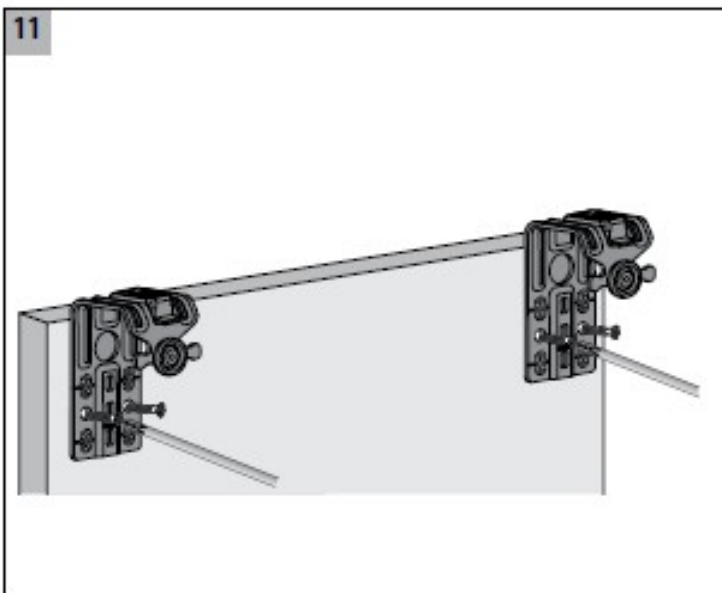
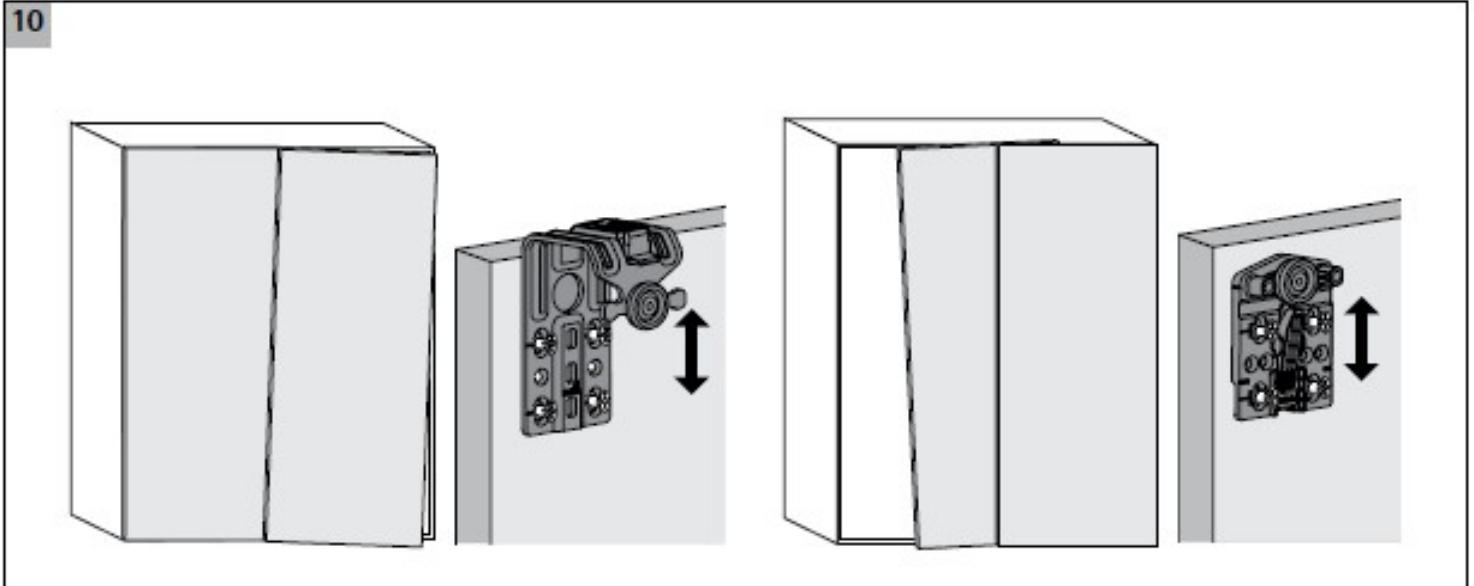
WORLD OF QUALITY HARDWARE

www.tmhardware.com

INSTALLATION GUIDE



SKU: B9117425



SKU: B9117425

