

Technical details in brief

- 2 track, top running sliding door fitting
- Overlay door position
- Door weight up to 35 kg
- Door thickness up to 19 mm
- Door height up to 2100 mm
- Door width 650 to 1000 mm

SKU: S9133612

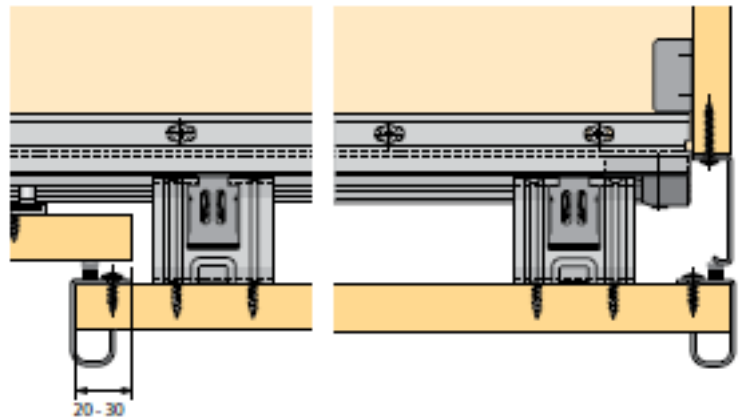
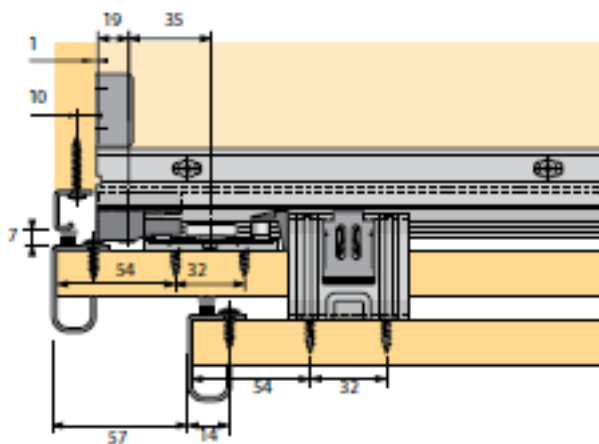
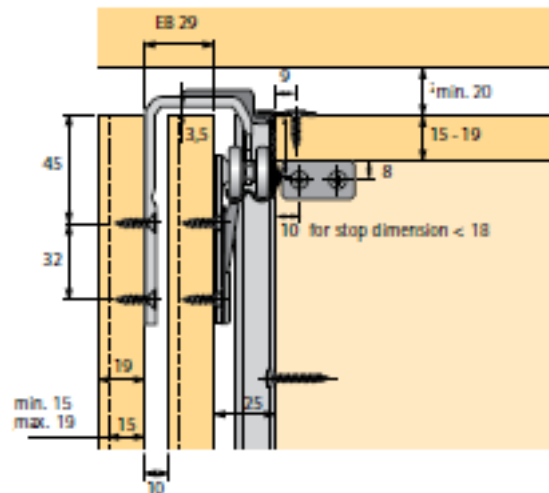
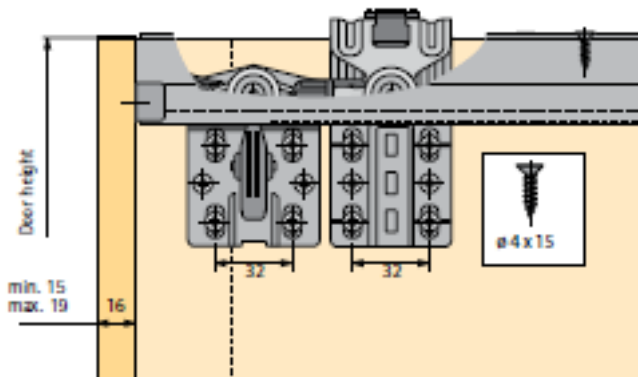
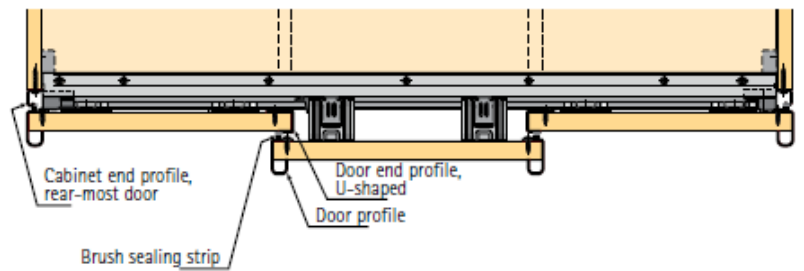
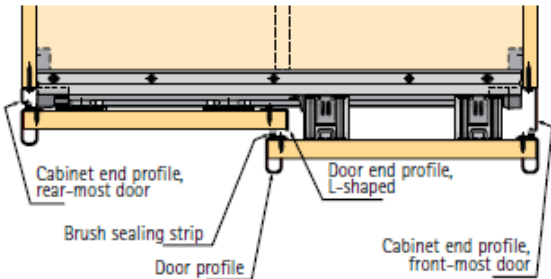




**TRADEMARK
HARDWARE**

WORLD OF QUALITY HARDWARE

PRODUCT SPECS



SKU: S9133612



www.tmhardware.com



845-388-1300



845-388-1388



sales@tmhardware.com

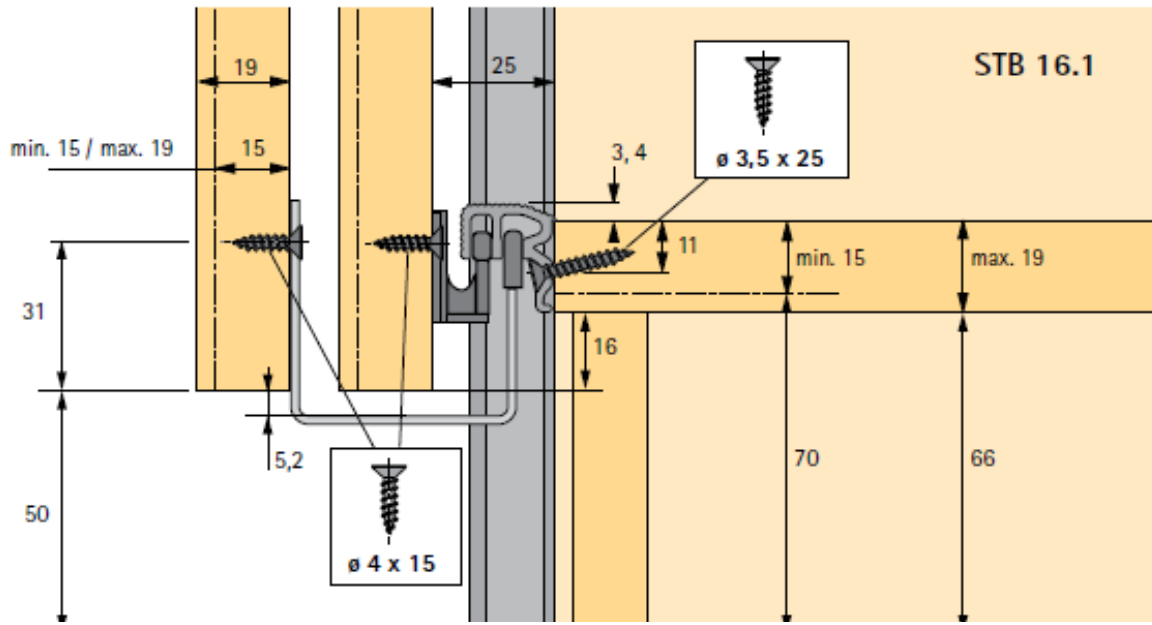


**TRADEMARK
HARDWARE**

WORLD OF QUALITY HARDWARE

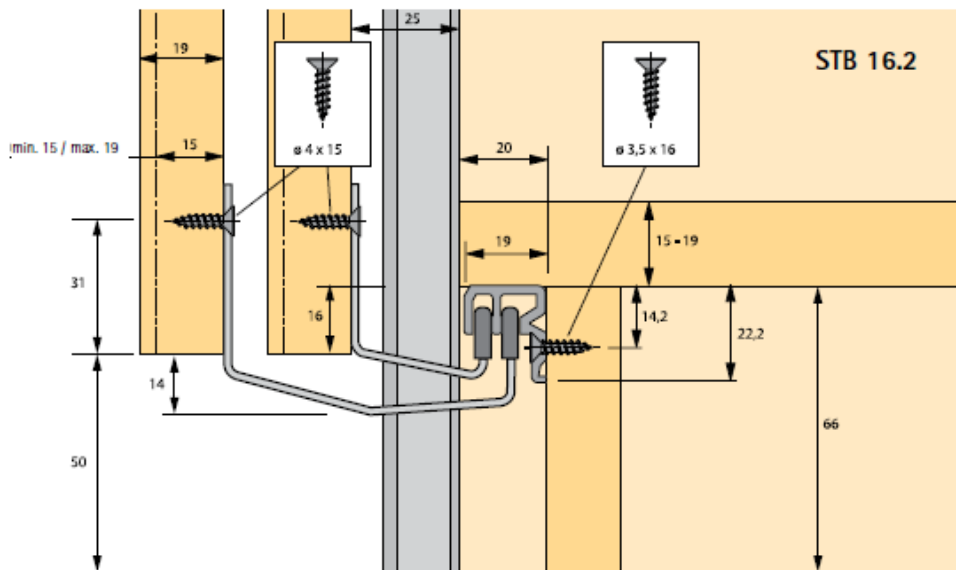
PRODUCT SPECS

Profile positioned in front of the bottom panel STB 16.1



Profile positioned below the bottom panel STB 16.2

SKU: S9133612



www.tmhardware.com



845-388-1300



845-388-1388



sales@tmhardware.com