

Architectural sliding door system

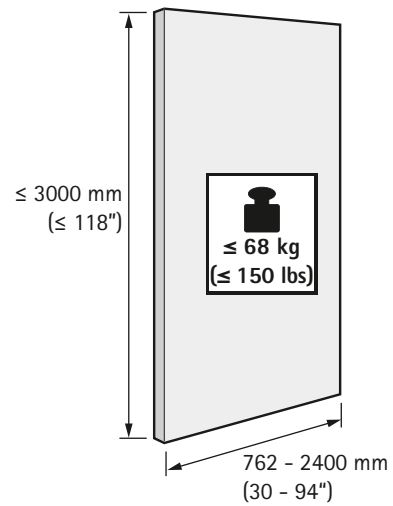


- ▶ **TopLine Grant SD**
- ▶ **Performance summary**

Technical details in brief

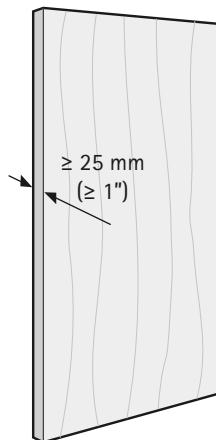
- ▶ The TopLine Grant SD series is a medium duty commercial and residential grade sliding door hardware series ideal for single and bi-parting installations. Applications include doors between rooms, closet doors, cabinets and storage walls.
- ▶ Soft closing, soft opening
- ▶ Precision ball bearing wheels ensure a smooth, quiet and long lasting performance
- ▶ Self-leveling design allows for even distribution of load for maximum performance and durability
- ▶ 1/2" vertical adjustment; minimal headroom required
- ▶ Aluminium box track
- ▶ Cushioned end stops holds door in place
- ▶ Wall mount bracket available
- ▶ Fascia available
- ▶ Meets and/or exceeds ANSI/BHMA standards

Door format and door weight



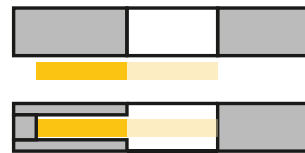
see pages 44 - 45

Door material



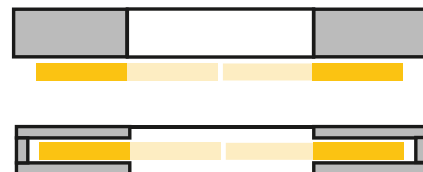
Number of door wings and door position

Single



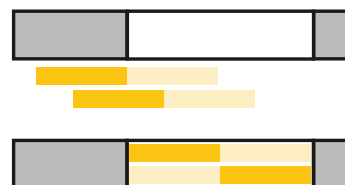
Bi-parting

Use additional set of hardware



By-passing

Mounting two parallel tracks



Architectural sliding door system

- ▶ TopLine Grant SD
- ▶ System overview



Tracks in several lengths



Choose low profile for a sleek and elegant look or standard hardware



Compliments your door with more comfort and safety



For wall mount applications



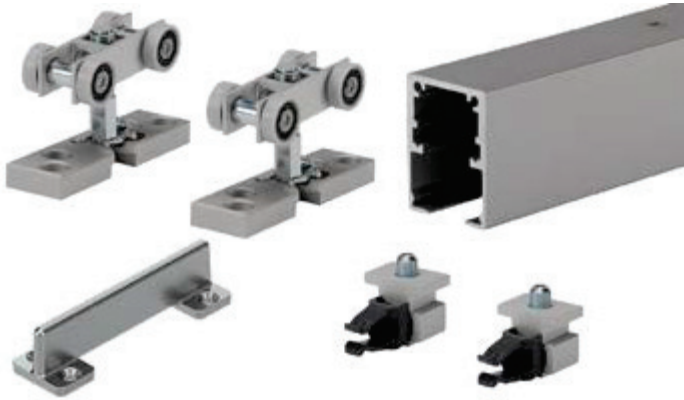
Hide your gap with a fascia



Final design tuning with endcaps

- ▶ TopLine Grant SD
- ▶ System components

All inclusive sets



- ▶ Set contains all components for a 1 door application with basic gap design

Set comprises:

- ▶ **1** Track (aluminium, anodized)
- ▶ **2** Hardware set

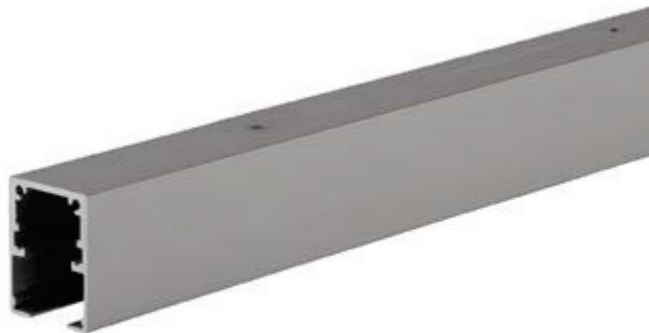
Advice:

- ▶ For longer track application order hardware set and track separately
- ▶ You can update your all inclusive set with
 - 3** Silent System
 - 4** Wall mount bracket
 - 5** Fascia
 - 6** Endcaps

Length mm	Length ft.	Order no.	PU
1219	4	9 200 611	1 set
1524	5	9 200 613	1 set
1829	6	9 200 614	1 set
2438	8	9 200 616	1 set
3048	10	9 200 617	1 set

Flexible Sets

1 Single track SD



- ▶ Aluminium, anodized
- ▶ Easy attachment due to pre-punched screw slots

Advice:

- ▶ Screws are not included. Recommend 31.8 mm (#10 x 1 1/4") panhead

Length mm	Length ft.	Order no.	PU
1219	4	9 199 834	1 ea.
1524	5	9 199 835	1 ea.
1829	6	9 199 836	1 ea.
2438	8	9 199 838	1 ea.
3048	10	9 199 839	1 ea.
3658	12	9 199 840	1 ea.
4879	16	9 199 841	1 ea.

Architectural sliding door system



- ▶ TopLine Grant SD
- ▶ System components

2 Hardware set - Choose between the low profile hardware set for a sleek and elegant look or the standard hardware set

2a Low profile hardware set SD



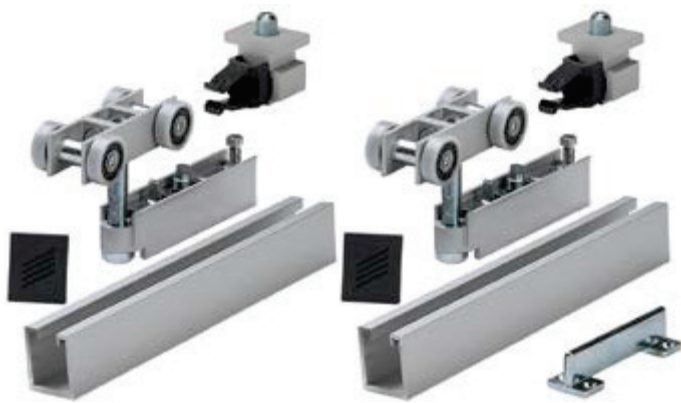
- ▶ Creates a sleek and elegant look: Minimizes the gap at the top of the door with a minimum reveal of 4 mm (3/16")
- ▶ Ideal also for restricted headroom application
- ▶ Aluminium construction
- ▶ Set contains components for a 1-door application

Set comprises:

- ▶ 1 floor guide
- ▶ 2 end stops
- ▶ 2 carrier assemblies – each assembly contains:
 - 1 channel
 - 1 support insert
 - 1 carrier
 - 1 end cap
- ▶ Wrench
- ▶ Fixing screws

Advice:

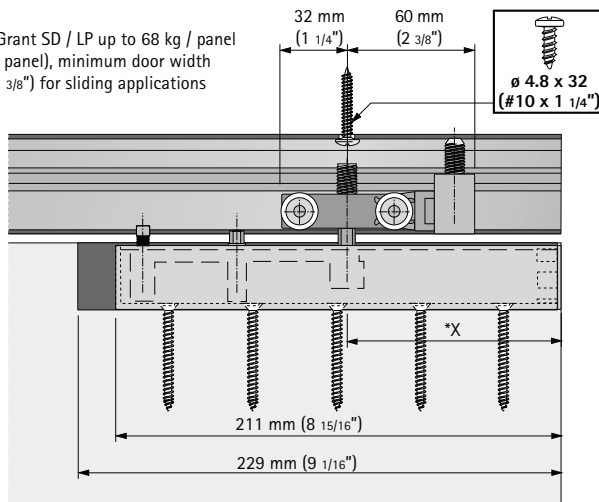
- ▶ Door thickness min. 35 mm (1 3/8")
- ▶ Please order profiles separately



Order no.	PU
9 203 725	1 set

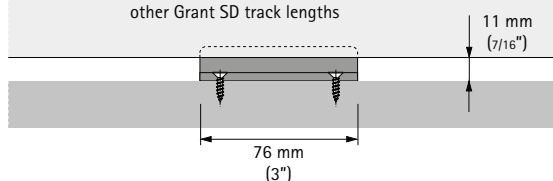
Planning dimensions

Top Line Grant SD / LP up to 68 kg / panel
(150 lbs / panel), minimum door width
35 mm (1 3/8") for sliding applications

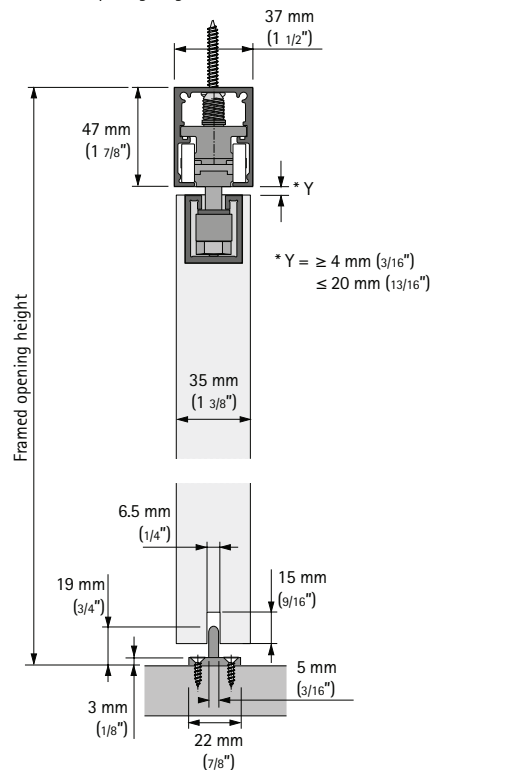


*X = 76 mm (3") for use with Grant SD 5' or 7' track

*X = 102 mm (4") for use with all other Grant SD track lengths



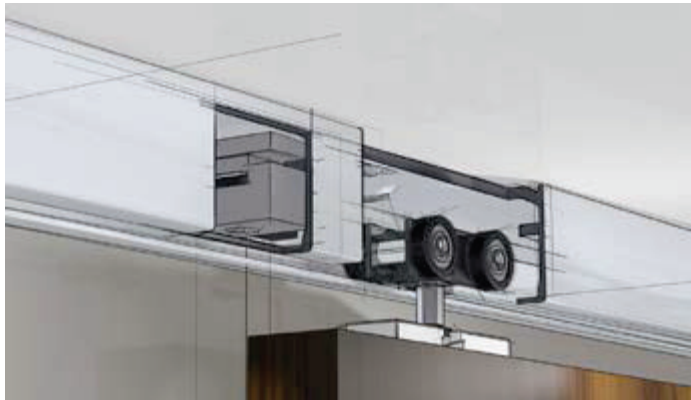
Framed opening height 47 mm (1 7/8") + Y + Panel + 11 mm (7/16")



*Y = ≥ 4 mm (3/16")
≤ 20 mm (13/16")

- ▶ TopLine Grant SD
- ▶ System components

2b Standard hardware set SD



▶ Set contains components for a 1-door application

Set comprises:

- ▶ 2 carriers with precision ball bearing wheels and adjustable pendant bolts
- ▶ 2 top plates
- ▶ 2 endstops
- ▶ 1 floor guide
- ▶ Fixing screws

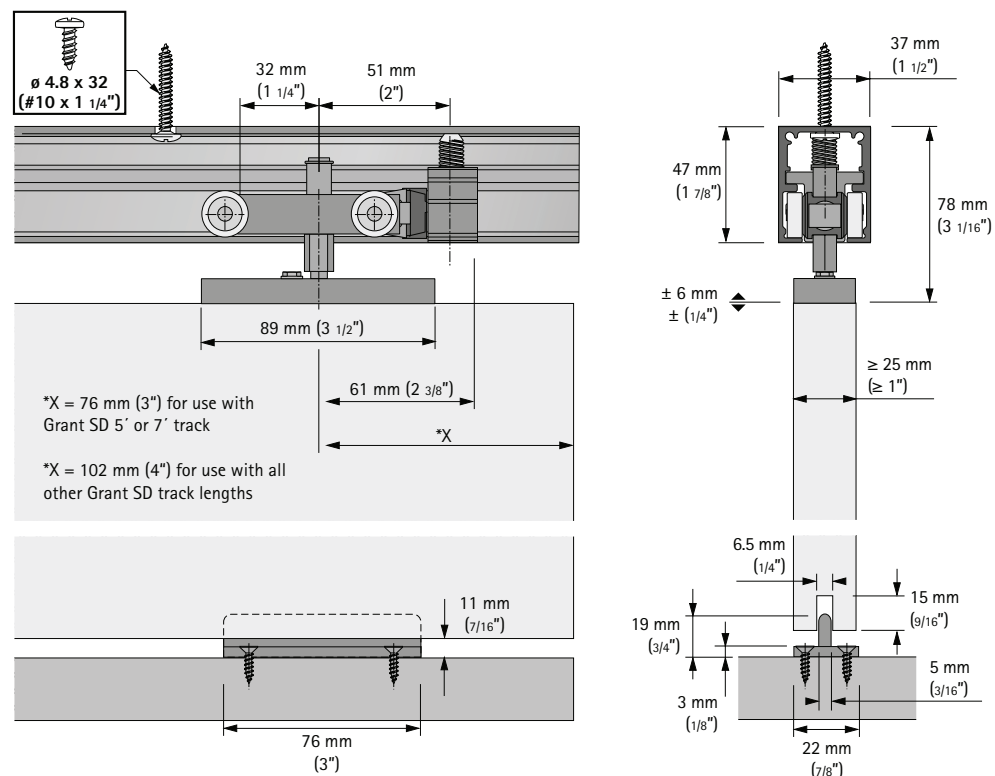
Advice:

- ▶ Please order profiles separately

Order no.	PU
9 191 124	1/10 set



Planning dimensions



Architectural sliding door system



- ▶ TopLine Grant SD
- ▶ System components

3 Silent System SD



- ▶ Quietly and gently opening and closing sliding doors
- ▶ Suitable for door weight up to 68 kg (150 lbs)
- ▶ Set contains all Silent System components for a 1-door application

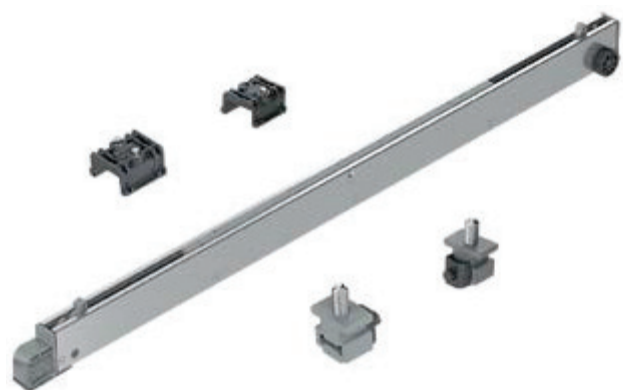
Set comprises:

- ▶ 1 Silent System unit SD
- ▶ 2 activators SD
- ▶ 2 end stop for Silent System SD
- ▶ 1 torx wrench key TX15
- ▶ Fixing screws

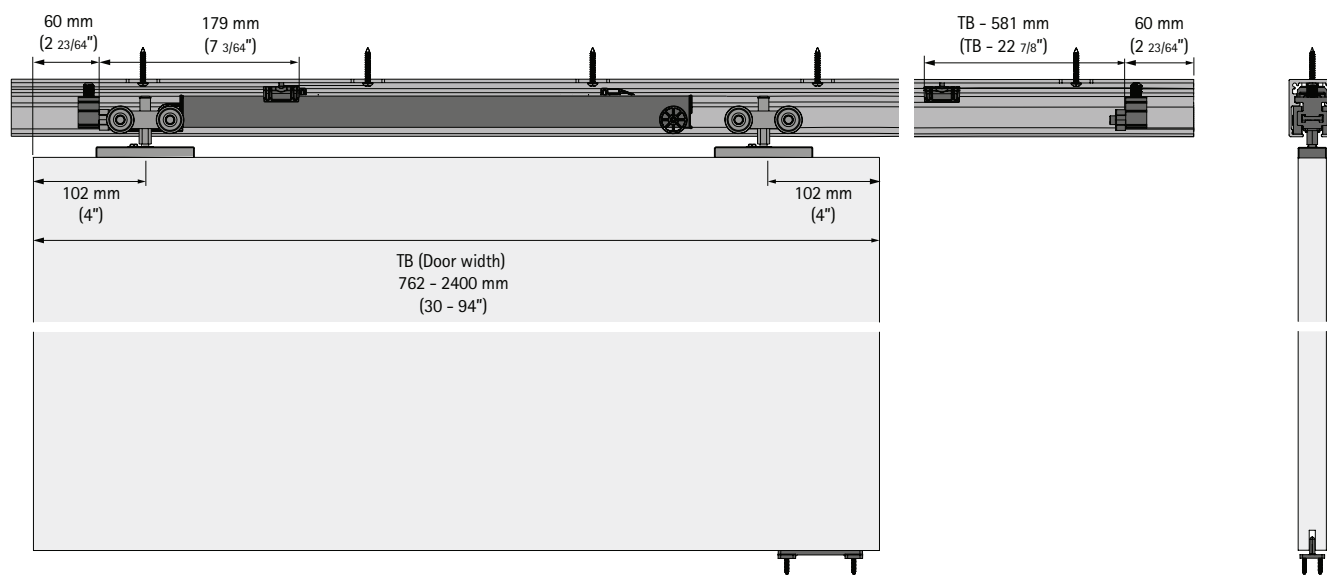
Advice:

- ▶ Door width 762 mm (30") minimum

Order no.	PU
9 235 608	1 set



Planning dimensions



- ▶ TopLine Grant SD
- ▶ System components

4 Wall mount bracket SD/HD



- ▶ Ideal for single and bi-parting applications where traditional header moulder pocket and sliding doors are not desired or cannot be structurally installed
- ▶ Suitable for 25 mm (1") to 50 mm (2") doors
- ▶ Aluminium, anodized

Set comprises:

- ▶ 1 wall mount bracket
- ▶ Wall mounting screws
- ▶ Fixing screws and nuts for attaching the track

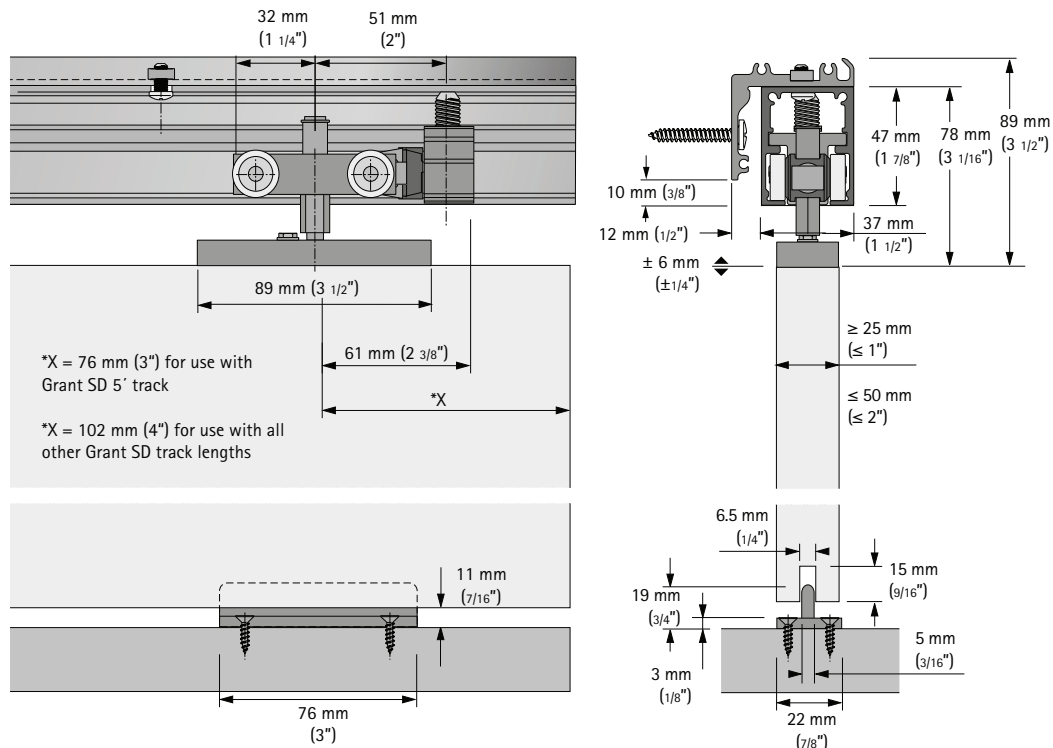
Advice:

- ▶ Please order running profile separately
- ▶ End stops required on all wall mount applications



Length mm	Length ft.	Order no.	PU
1829	6	9 202 898	1 set
2438	8	9 202 899	1 set
4877	16	9 202 902	1 set

Planning dimensions



- ▶ TopLine Grant SD
- ▶ System components

5 Fascia SD/HD/XHD



- ▶ Hide your gap between profile and door
- ▶ For header mount or wall mount application
- ▶ Easy to install: Just snap into fascia clips
- ▶ Suitable for 25 mm (1") to 44 mm (1 3/4") doors
- ▶ Aluminium, anodized

Advice:

- ▶ Please order fascia clips separately
- ▶ Fascia is not necessary for combination with low head profile hardware set

Length mm	Length ft.	Order no.	PU
1829	6	9 203 732	1 ea.
2438	8	9 203 733	1 ea.
4879	16	9 203 746	1 ea.



Set header mount fascia clip



Set comprises:

- ▶ 5 header mount fascia clips
- ▶ Fixing screws

Advice:

- ▶ Any fascia over 8 ft. long requires 2 sets of clips

Order no.	PU
9 203 751	1/100 set

Set wall mount fascia clip



Set comprises:

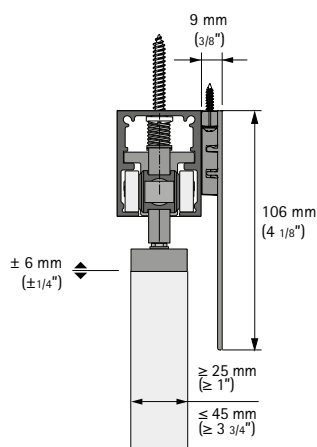
- ▶ 5 wall mount fascia clips
- ▶ Fixing screws

Advice:

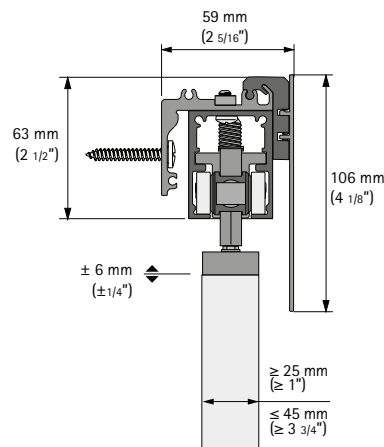
- ▶ Any fascia over 8 ft. long requires 2 sets of clips

Order no.	PU
9 203 752	1/100 set

Planning dimensions



Planning dimensions



- ▶ TopLine Grant SD
- ▶ System components

6 Wall mount endcap SD



- Final design tuning for wall mount applications:
- ▶ **1** Endcap for wall mount applications without fascia
 - ▶ **2** Endcap for wall mount applications with fascia

Endcap SD without fascia



- ▶ Plastic, aluminium colored finish

Set comprises:

- ▶ 1 right hand endcap
- ▶ 1 left hand endcap
- ▶ Fixing screws

Order no.	PU
9 202 941	1 set

Endcap SD/HD with fascia



- ▶ Plastic, aluminium colored finish

Set comprises:

- ▶ 1 right hand endcap
- ▶ 1 left hand endcap
- ▶ Fixing screws

Order no.	PU
9 202 943	1 set