



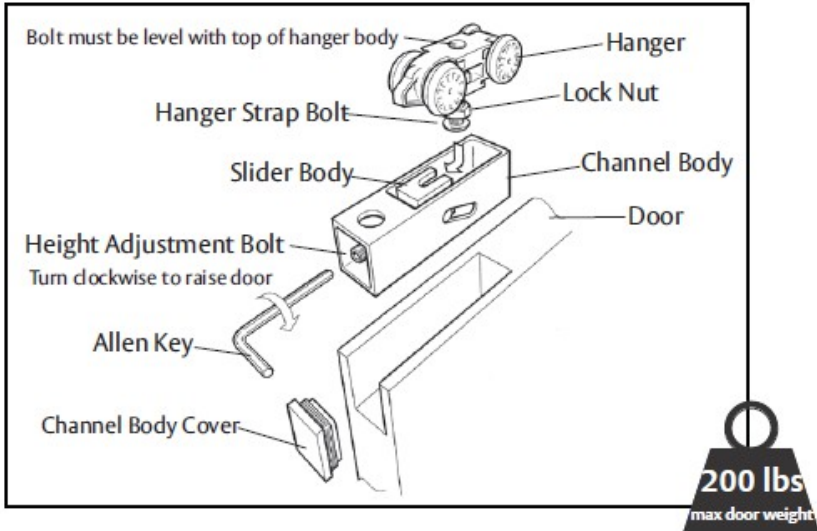
**TRADEMARK
HARDWARE**

WORLD OF QUALITY HARDWARE

INSTALLATION GUIDE

Door Leaf Capacity - Up to 200 lbs.

Manufactured by
HENDERSON



LP200A Kits Include:

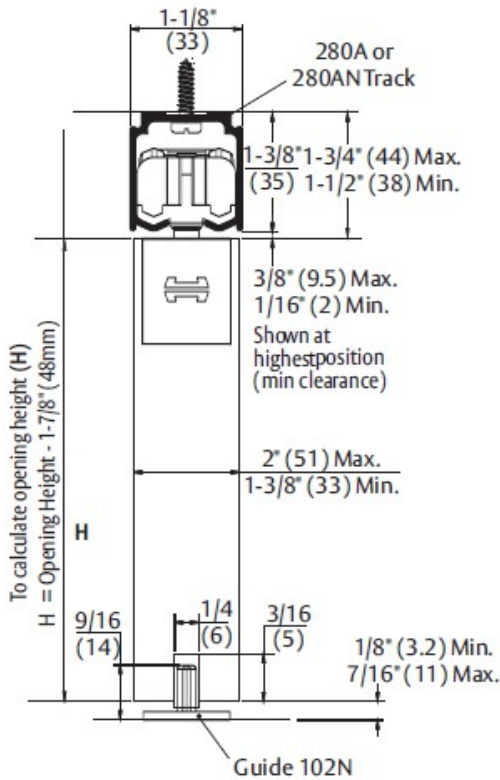
- 1 ea 280AN Aluminum Track
- 1 ea LH100 Hardware Kit

LH100 Hardware Kits Include:

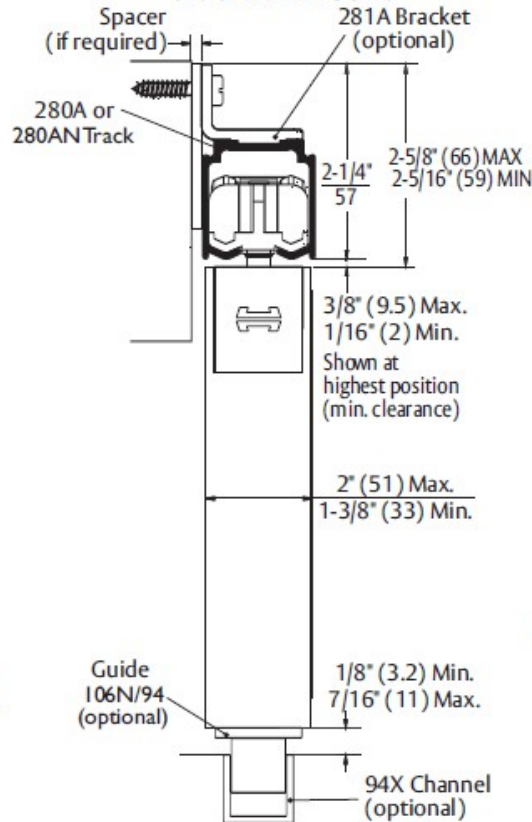
- 2 ea Low Head Room Units
- 2 ea End Caps
- 2 ea In-Track Clip Stops
- 1 ea Screw Pack
- 2 ea Low Head Room Hangers
- 1 ea 102N White Nylon Mortise Guide
- 1 ea Small Spanner
- 1 ea 4mm Allen Key

Kit No.	Material	Max Leaf Width
LP200A/6	aluminum track / 6'	36"
LP200A/8	aluminum track / 8'	48"
LP200A/10	aluminum track / 10'	60"

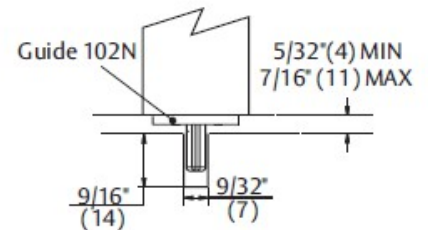
Overhead Mount



Side Wall Mount



Alternative Guide Arrangement
Requires an additional 102N guide.
Not supplied in kit.



www.tmhardware.com



845-388-1300



845-388-1388

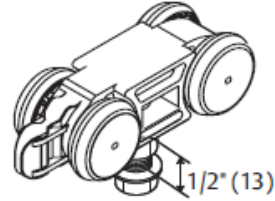


sales@tmhardware.com



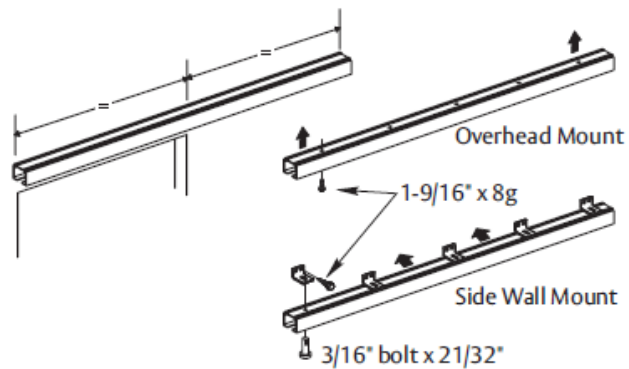
1. Assemble hanger.

Place nut inside hanger body. Thread locking nut onto bolt and then screw bolt into the nut within hanger. Leave a $\frac{1}{2}$ " clearance between the base of the hanger and bolt head as shown.



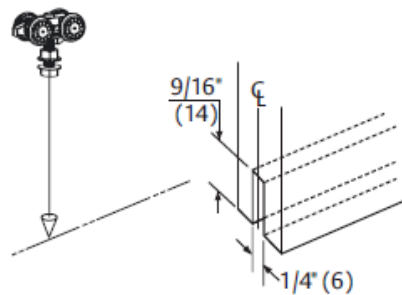
2. Secure track.

Use one bracket or fastener at each end of track and no more than 3' in between.

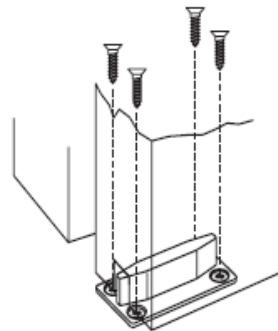


3. Mortise door for door guide.

Attach a plumb line to hanger. Remove one end bracket. Place hanger inside track. Using plumb line, mark the centerline of door guide.

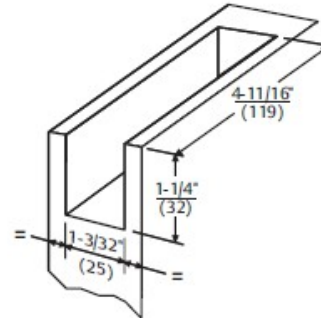


4. Fit door guide to floor.

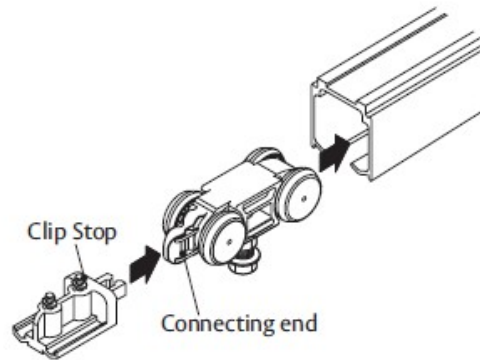




5. Route top of door at both ends for channel bodies.

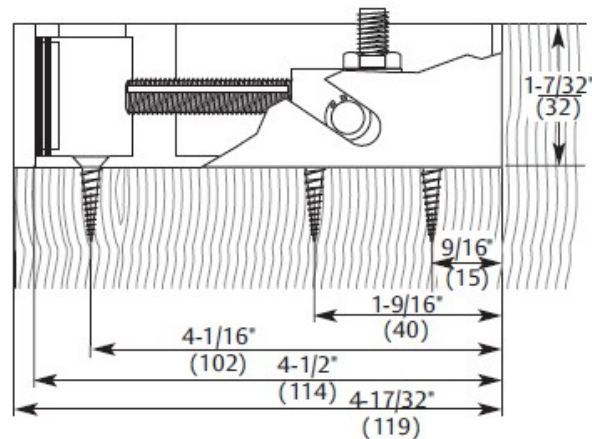


6. Insert hangers and retaining stop.



7. Fit both channel bodies into door.

Slowly guide complete door unit into track using installed floor guide. Install track stops.





8. Position and adjust door height.

Ensure 102N guide is running in routed guide slot in base of door.

