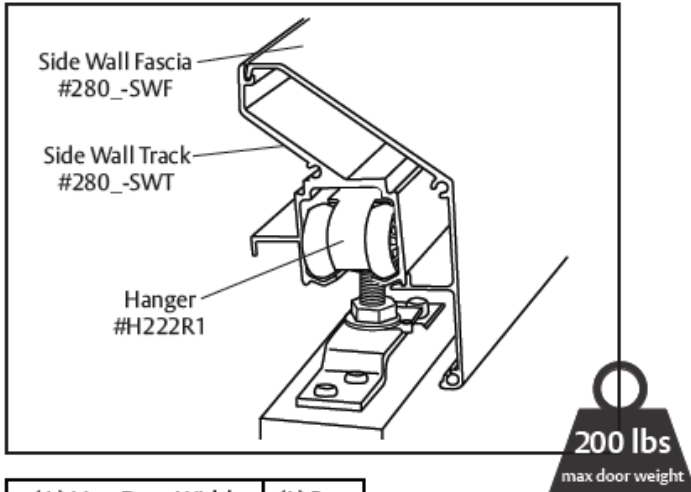




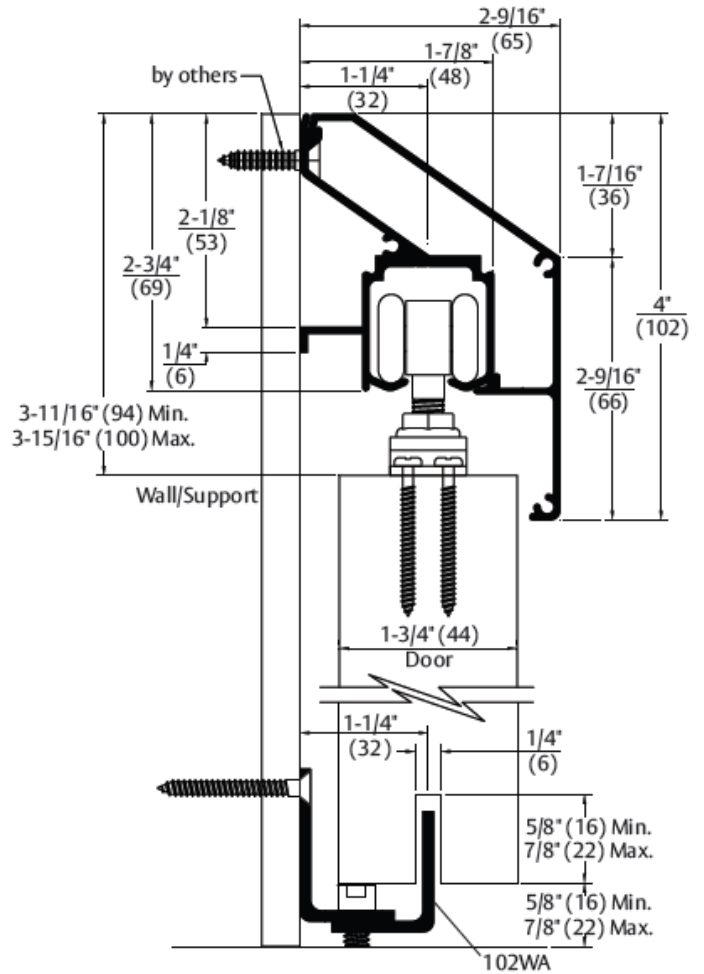
Door Leaf Capacity - Up to 200 lbs.



(A) Max. Door Width	(L) Run
30"	60"
36"	72"
48"	96"
2 @ 36"	144"

Kit No.	Material	Max Leaf Width
280C-SWTKIT/5	mill finished track / 5'	30"
280C-SWTKIT/6	mill finished track / 6'	36"
280C-SWTKIT/8	mill finished track / 8'	48"
280C-SWTKIT/12*	mill finished track / 12'	2 @ 36"
280D-SWTKIT/5	dark bronze track / 5'	30"
280D-SWTKIT/6	dark bronze track / 6'	36"
280D-SWTKIT/8	dark bronze track / 8'	48"
280D-SWTKIT/12*	dark bronze track / 12'	2 @ 36"

*NOTE: 280-SWTKIT/12 comes with enough hardware for two doors.



SKU: P280_SWT

