

HAWA Folding Concepta 25

- Max. door weight: 25 kg (55 lbs.), per pair 50 kg (110 lbs.)
- Door height: 1250 – 1850 mm (49 3/16" – 72 13/16") or 1851 – 2600 mm (72 7/8" – 102 3/8")
- Door width: 300 – 700 mm (11 13/16" – 27 9/16")
- Door thickness: 19 – 26 mm (3/4" – 1")
- Mounting: For left and right hand use



Fitting Sets for 2-Door or 4-Door Applications

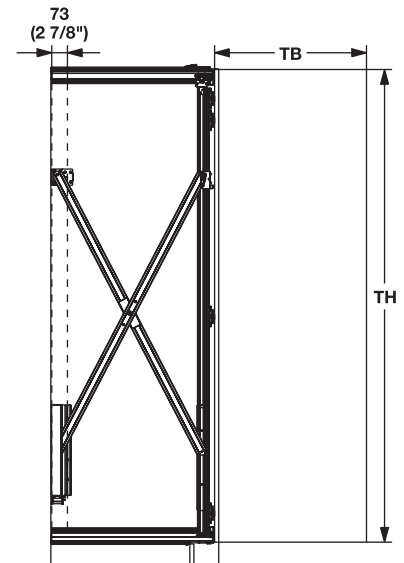
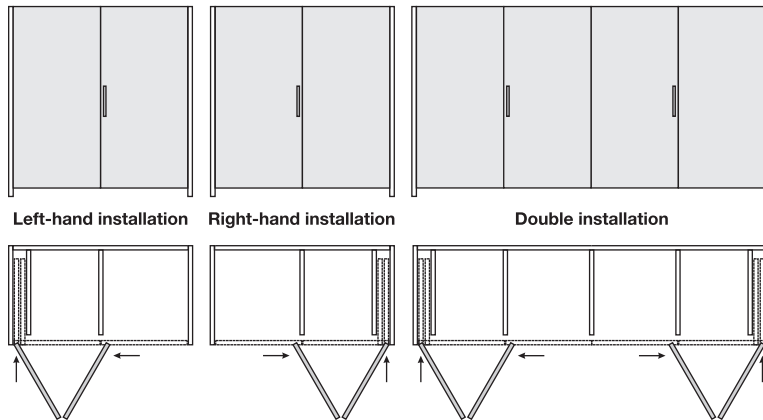
Door height	Mounting	Clear anodized	Black anodized
1250 – 1850 mm (49 3/16" – 72 13/16")	Left	408.31.000	408.31.004
	Right	408.31.001	408.31.005
1851 – 2600 mm (72 7/8" – 102 3/8")	Left	408.31.002	408.31.006
	Right	408.31.003	408.31.007

Supplied With

1 set

Note

For a 4-door application order 1 left and right-hand set.



Fitting Sets for 3-Door Applications

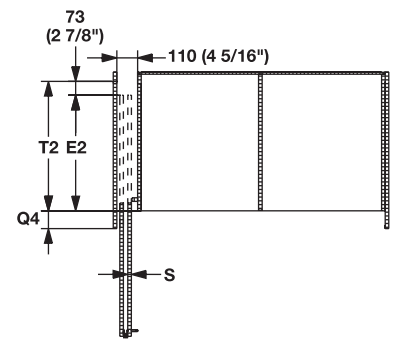
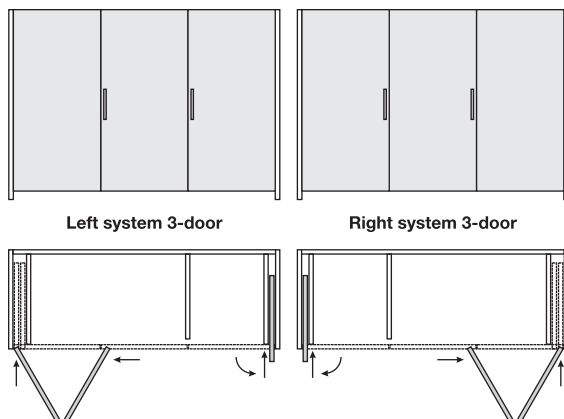
Door height	Mounting	Clear anodized	Black anodized
1851 – 2600 mm (72 7/8" – 102 3/8")	Left	408.30.101	408.30.057
	Right	408.30.102	408.30.049

Supplied With

1 set

Note

When ordering a 3-door system order 1 set of the above listed sets and 1 set of the Hawa Concepta 30/40 or 50 fitting set. Refer to page 7.110



$T2 = TB + 73 \text{ mm (2 7/8")} - Q4$
 $E2 = T2 - 73 \text{ mm (2 7/8")}$
 $Q4 = 75 \text{ mm (2 15/16")} + S$

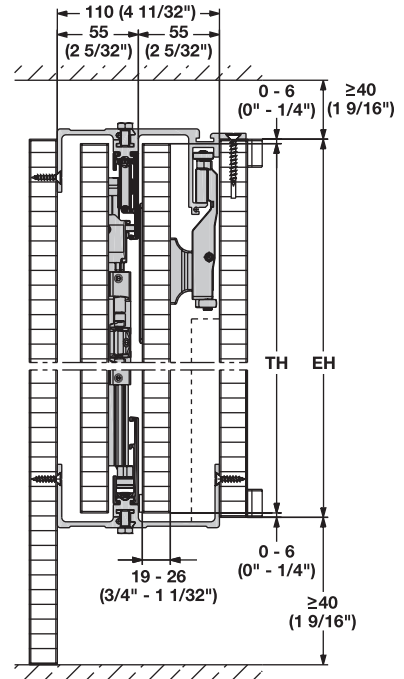
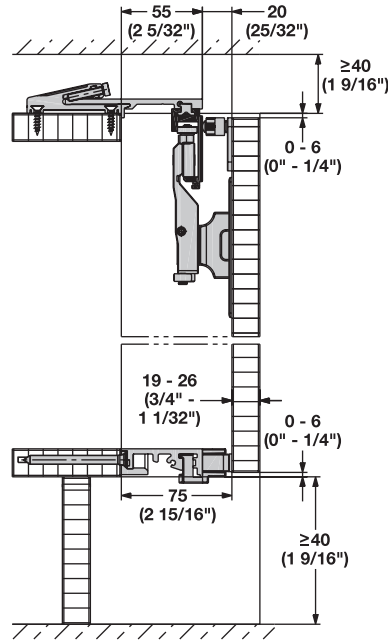
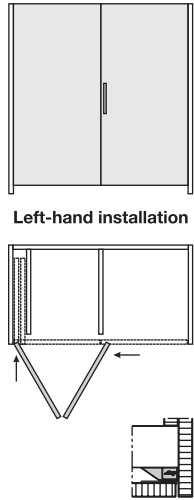
$T2 \leq 680 \text{ mm (26 3/4")}$
 $TH = \text{Door Height}$
 $TB = \text{Door Width}$
 $S = \text{Door Thickness}$

Dimensional data not binding. We reserve the right to alter specifications without notice.

HAWA Folding Concepta 25

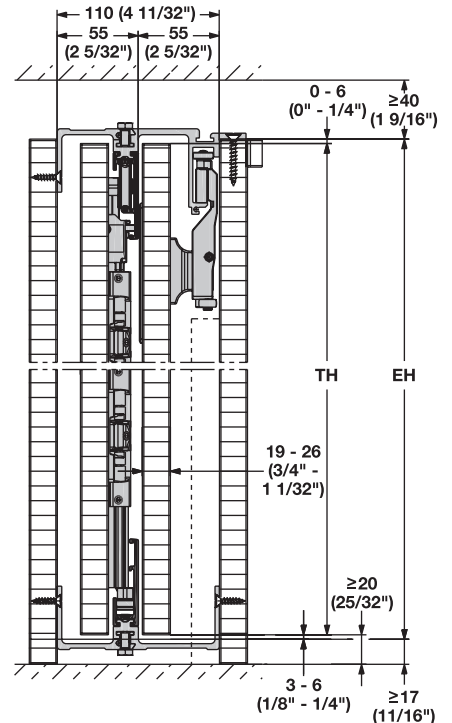
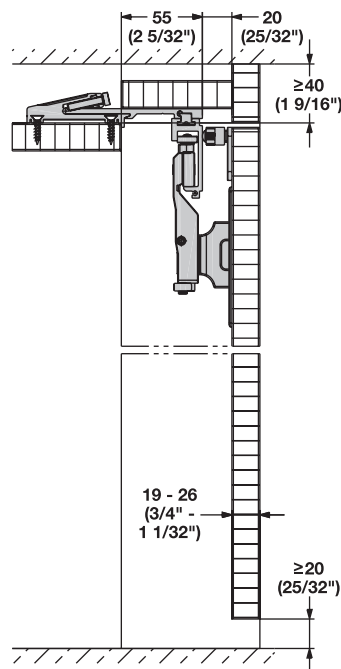
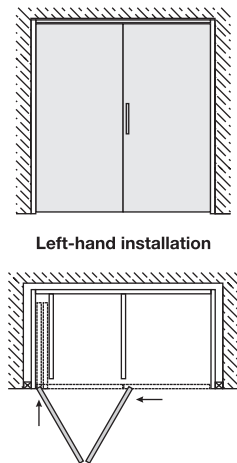
Doors overlay Cabinet Top and Bottom Panels

- With bottom profile



Doors in Wall Recess

- Without a cabinet bottom panel

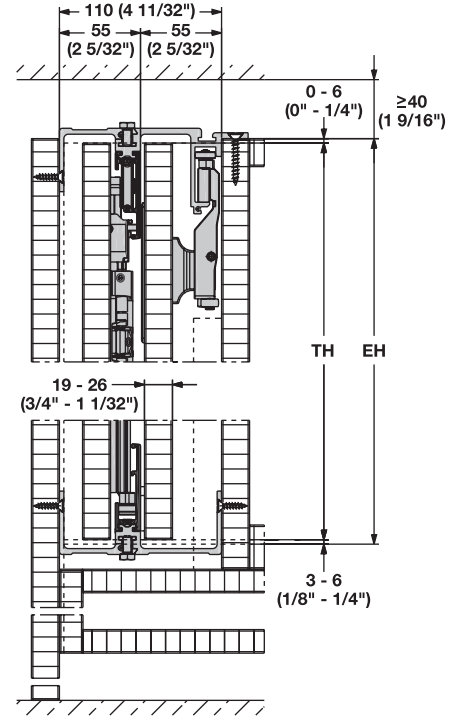
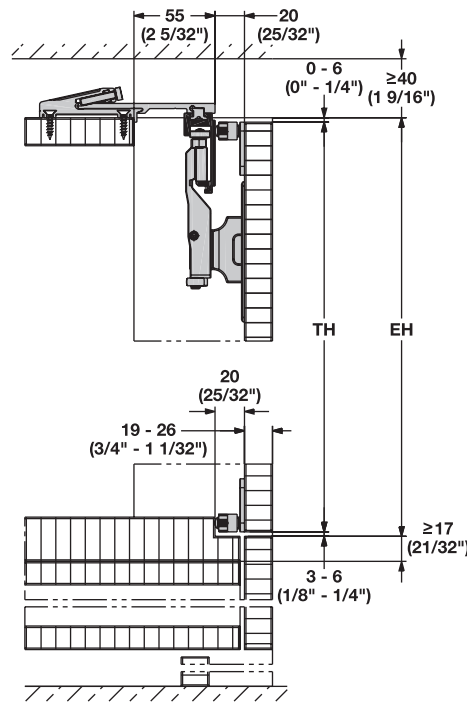
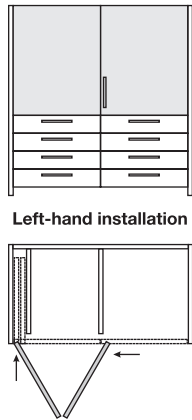


Dimensional data not binding. We reserve the right to alter specifications without notice.

Dimensions in mm
 Inches are approximate

HAWA Folding Concepta 25

Doors from worktop to cabinet top panel

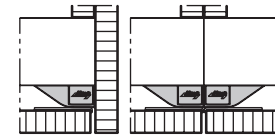


7

Accessories

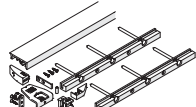
Cabinet Bottom Profile

The cabinet bottom profile is the ideal complement to the Folding Concepta 25 for folding doors that overlay the top and bottom cabinet panel. The included leading ramp makes sure that the folding doors are flush when closed.



Position of cabinet bottom profile and leading ramp for a 2-door and 4 door application

Material: Aluminum

Description	Finish	Length	Item No.
 Cabinet bottom profile with leading ramp and drilling jig	clear anodized	1.3 m (51 3/16")	408.30.961
		2.0 m (78 3/4")	408.30.432
	black anodized	1.3 m (51 3/16")	408.30.430
		2.0 m (78 3/4")	408.30.431

Dimensions in mm
 Inches are approximate

FC **7.118**

www.hafele.com/us

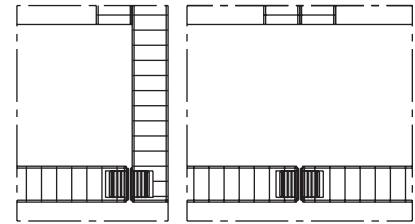
Dimensional data not binding. We reserve the right to alter specifications without notice.

HAWA Folding Concepta 25

Accessories

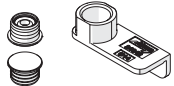
Door Centering Components

The door centering components are utilized to magnetically center folding doors that are installed into cabinets that are mounted into a wall recess or into a cabinet designed without a bottom panel.



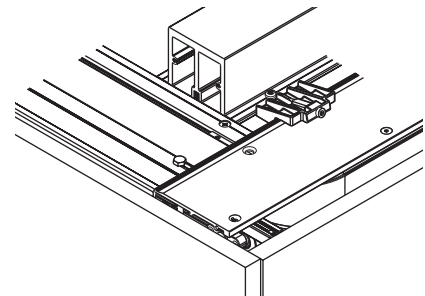
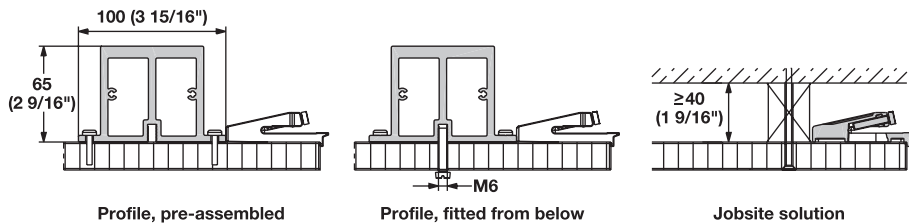
Door centering position: 2-door and 4-door

Material: Aluminum; Finish: clear anodized

Description	Item No.
 Door centering components, magnetic, includes drilling jig	408.30.229

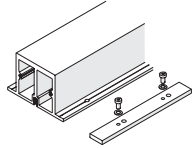
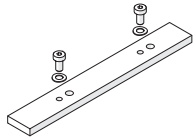
Strengthening Profile

The strengthening profile reinforces the cabinet top panel for a 3-door or 4-door folding application if supporting center panels are not desired.



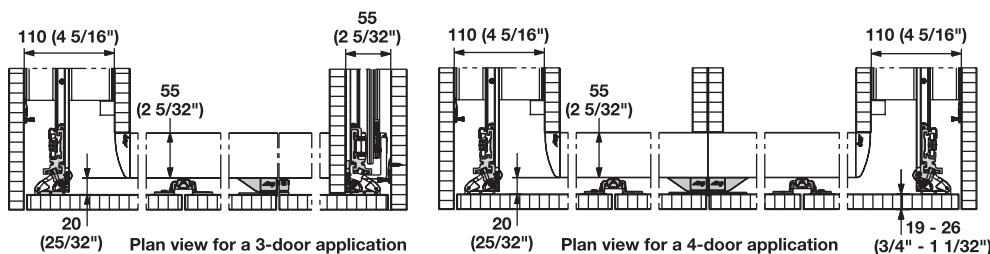
7

Material: Aluminum; Finish: clear anodized

Description	Length	Item No.
 Strengthening profile, for 3-door or 4-door applications, includes connecting plate, maximum opening width is 2.8 m (110 1/4")	2.6 m (102 3/8")	408.30.970
 Connecting plate	-	408.30.400

Note

The strengthening profile is available cut-to-size upon request, if this option is chosen the connecting plate has to be ordered separately.



Dimensional data not binding. We reserve the right to alter specifications without notice.

Dimensions in mm
 Inches are approximate