

$$T2 = TB + 73 \text{ mm (2 7/8")} - Q4$$

$$E2 = T2 - 73 \text{ mm (2 7/8")}$$

$$Q4 = 75 \text{ mm (2 15/16")} + S$$

$$T2 \leq 680 \text{ mm (26 3/4")}$$

TH = Door Height

TB = Door Width

S = Door Thickness

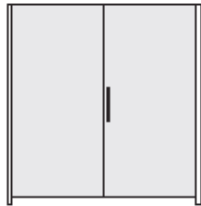




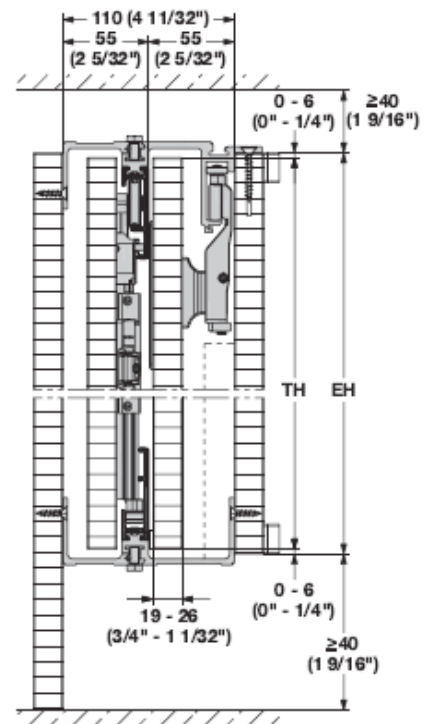
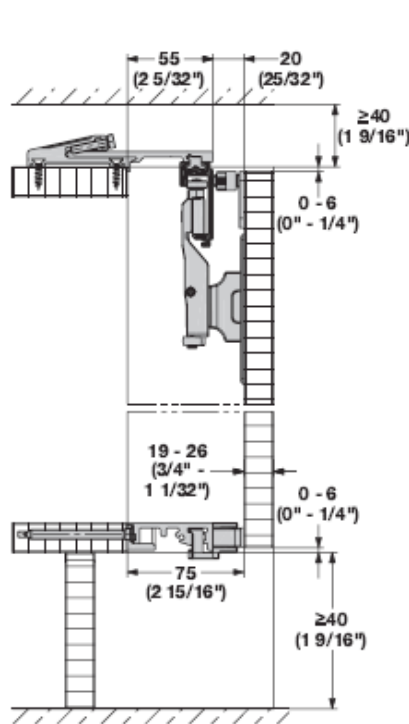
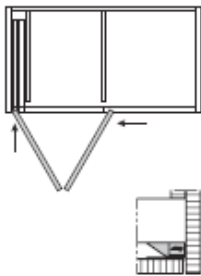
HAWA Folding Concepta 25

Doors overlay Cabinet Top and Bottom Panels

- With bottom profile



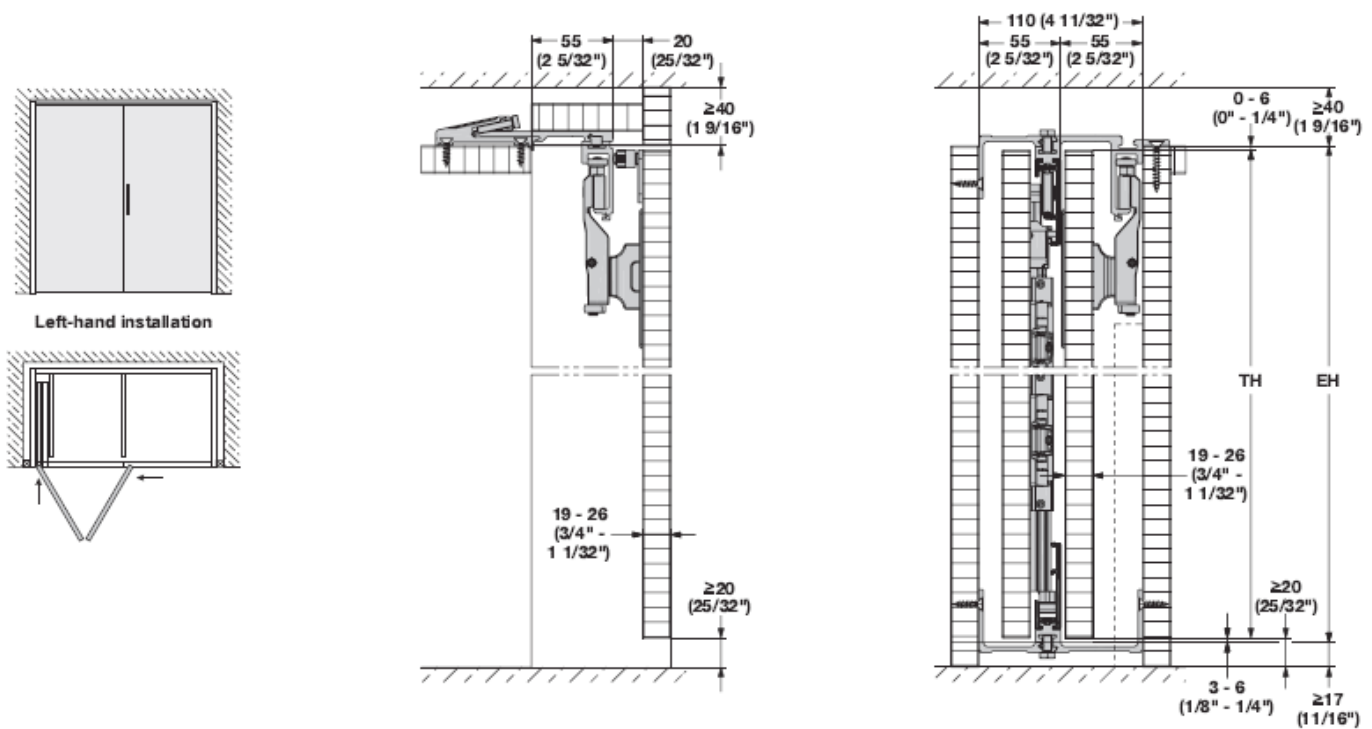
Left-hand installation





Doors in Wall Recess

- Without a cabinet bottom panel



Dimensions in mm
Inches are approximate





**TRADEMARK
HARDWARE**

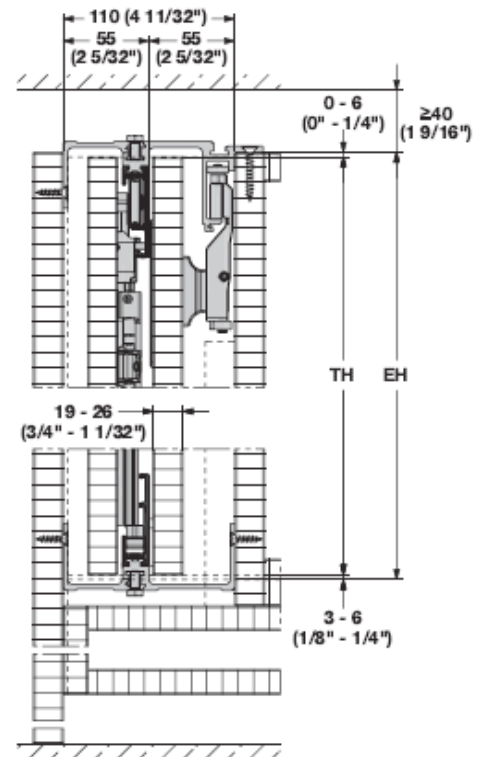
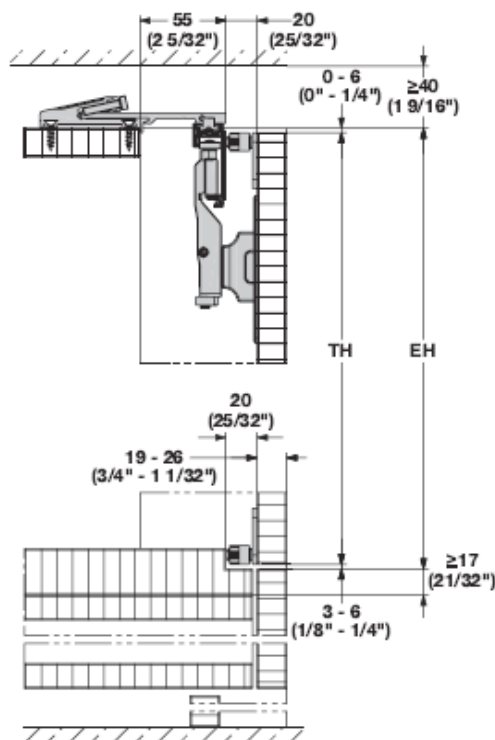
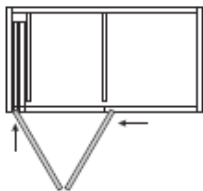
WORLD OF QUALITY HARDWARE

PRODUCT DATA

Doors from worktop to cabinet top panel



Left-hand installation





**TRADEMARK
HARDWARE**

WORLD OF QUALITY HARDWARE

PRODUCT DATA

