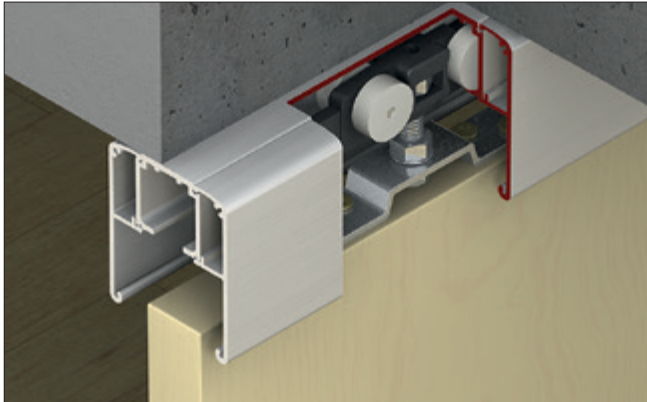


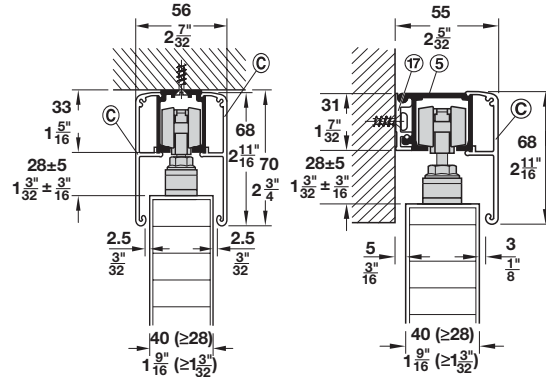
Slido Classic 40-P to 120-P

- Door weight: 40 – 120 kg (88 – 264 lbs.) per door
- For 1 and 2 sliding wood doors
- Door height adjustable +/-5 mm (3/16")
- Suspension fitting with screw-mounted support flange

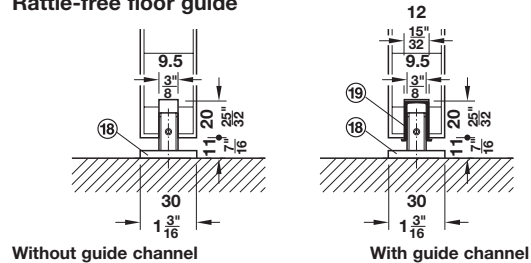


**Sliding Door Hardware-Wood
Top Hung System**

Ceiling installation and wall mounting



Rattle-free floor guide



Slido Classic P Set

- For 1 sliding door without upper track

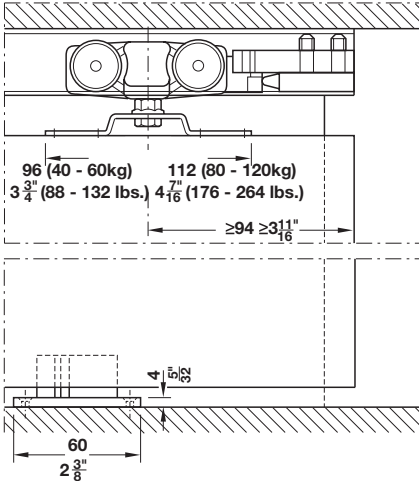
Soft Close	Version	Door width	40-P 40 kg (88 lbs.)	60-P 60 kg (132 lbs.)	80-P 80 kg (176 lbs.)	120-P 120 kg (264 lbs.)
Without	A	–	940.42.113	940.60.113	940.82.108	941.02.119
On one side	B	≥592 mm (23 5/16")	940.43.115	–	940.82.562	941.02.114
On both sides	C	≥727 – 846 mm (28 5/8 – 33 5/16") recommended max. width	940.43.116	–	940.82.125	–
	D	≥847 – 966 mm (33 3/8 – 38 1/16") recommended max. width	940.43.117	–	940.82.563	–
	E	≥916 mm (36")	940.43.118	–	940.82.564	941.02.115

Note

End cap for ceiling installation with fascia on both sides is not available. One pair of end caps can be glued vertically in the center of the upper track (optional). Please order track, fascias and accessories separately. For bi-parting sliding doors, please order 2 sets per opening.

Sliding door locks	pages 1.357, 1.364-1.368
Flush pulls	pages 1.363, 1.371-1.373
Pull handles	pages 2.10-2.32
Tracks, fascias and accessories	pages 1.16-1.17
Track stopper	page 1.8
Track cleaner	page 1.37

Slido Classic 40-P to 120-P



Section guide and trolley hanger

Versions overview

**Sliding Door Hardware-Wood
Top Hung System**

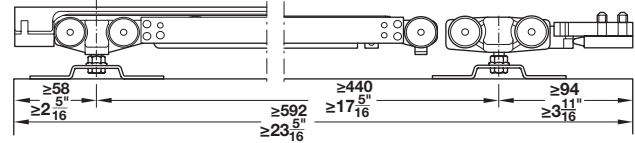
1

Version A without soft close



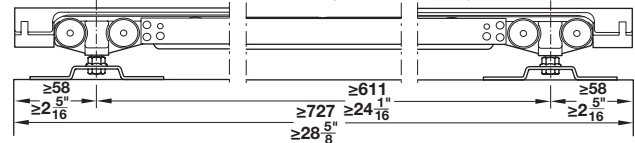
No minimum door width

Version B with soft close on one side



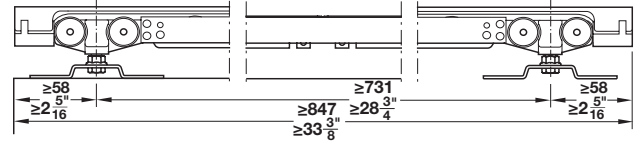
Minimum door width is 592 mm (23 5/16").

Version C with soft close on both sides (twin mechanism)



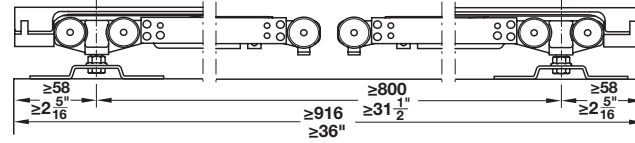
For doors 727-846 mm (28 5/8"-33 5/16").

Version D with soft close on both sides (double mechanism)



For doors 847-966 mm (33 3/8"-38").

Version E with two soft close (one for each side)



Minimum door width 916 mm (36").

Dimensional data not binding. We reserve the right to alter specifications without notice.

Dimensions in mm
Inches are approximate