



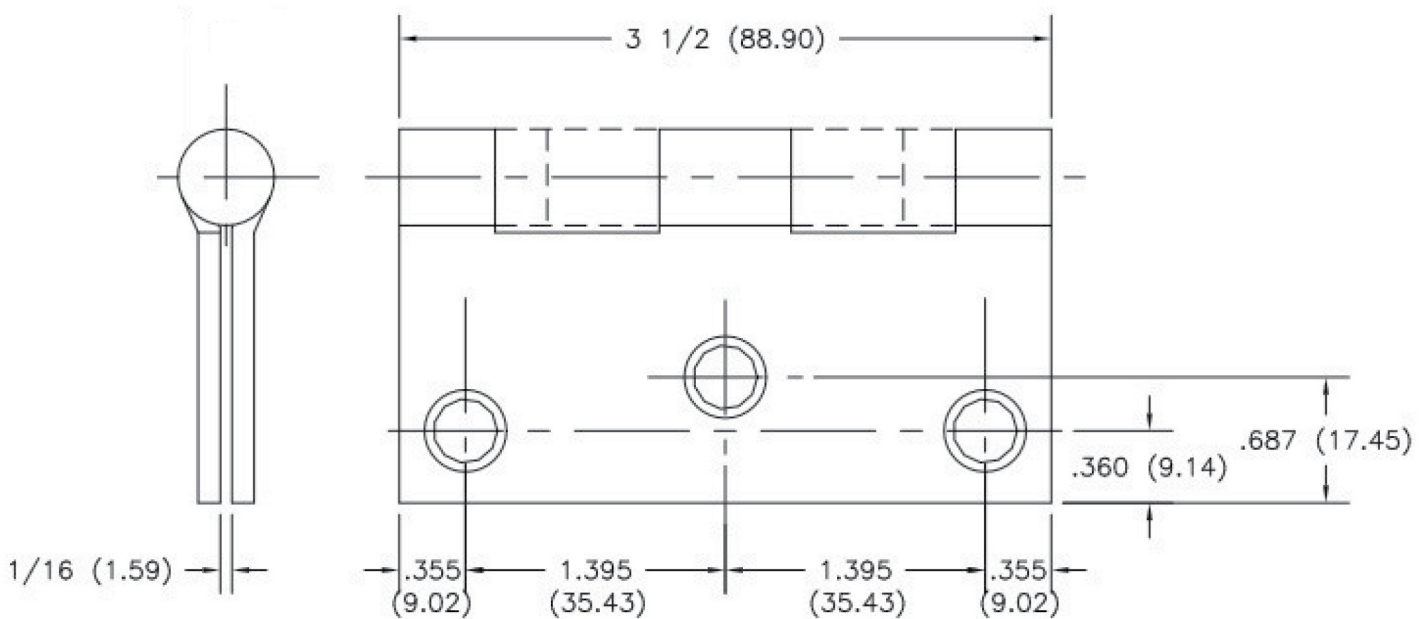
**Trademark  
HARDWARE**

# PRODUCT SPECS

FULL MORTISE  
NON TEMPLATE HINGES

Template No. T305  
Rev. '96

SIZES:  $3\frac{1}{2} \times 3\frac{1}{2}$  ---  $3\frac{1}{2} \times 5$  ---  $3\frac{1}{2} \times 6$   
(88.90 x 88.90) (88.90 x 127.00) (88.90 x 152.40)



## SKU: H1191

### Discount Specials for All Products:

All orders over \$100 get 5% off.

All orders over \$200 get 5% off plus free shipping\*

All orders over \$300 get 10% off plus free shipping\*

All orders over \$600 get 15% off plus free shipping\*

All orders over \$1,000 get 20% off plus free shipping\*

\*exclusions apply

**Trademark  
HARDWARE**

148 Horton Drive, Suite B  
Monsey, New York 10952

Phone: 845.352.3200  
Fax: 845.367.4657

www.TMHardware.com  
sales@tmhardware.com