



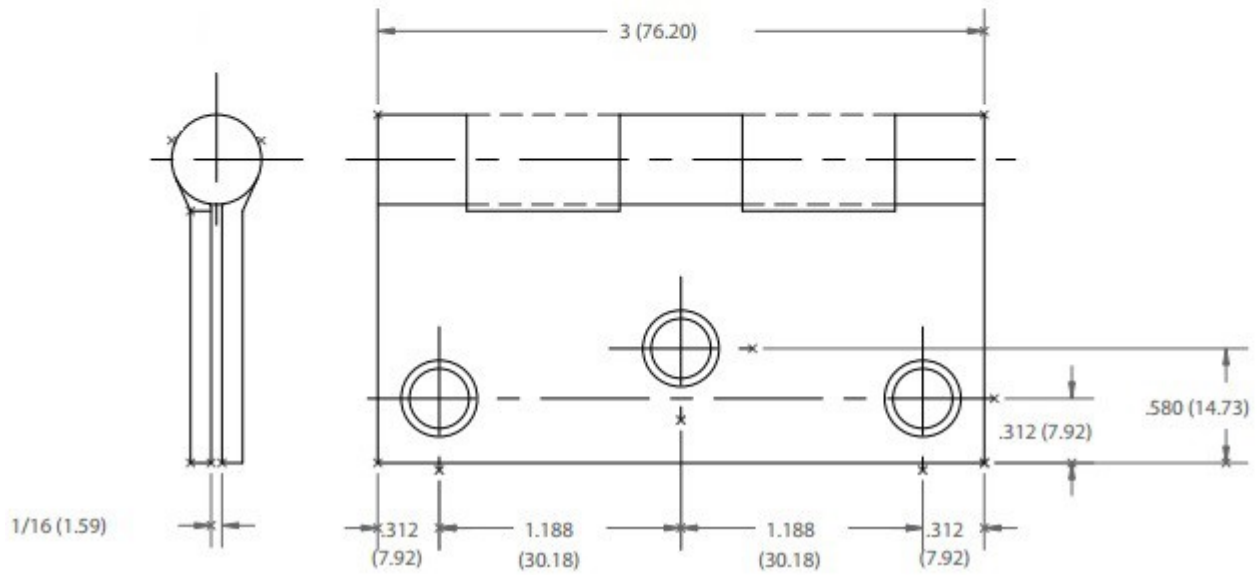
**TRADEMARK
HARDWARE**

WORLD OF QUALITY HARDWARE

**FULL MORTISE
TEMPLATE HINGES**

**Template No. T 303
Rev. '96**

SIZE: 3 x 3
(76.20 x 76.20)



SKU: H1191



www.tmhardware.com



845-388-1300



845-388-1388



sales@tmhardware.com