

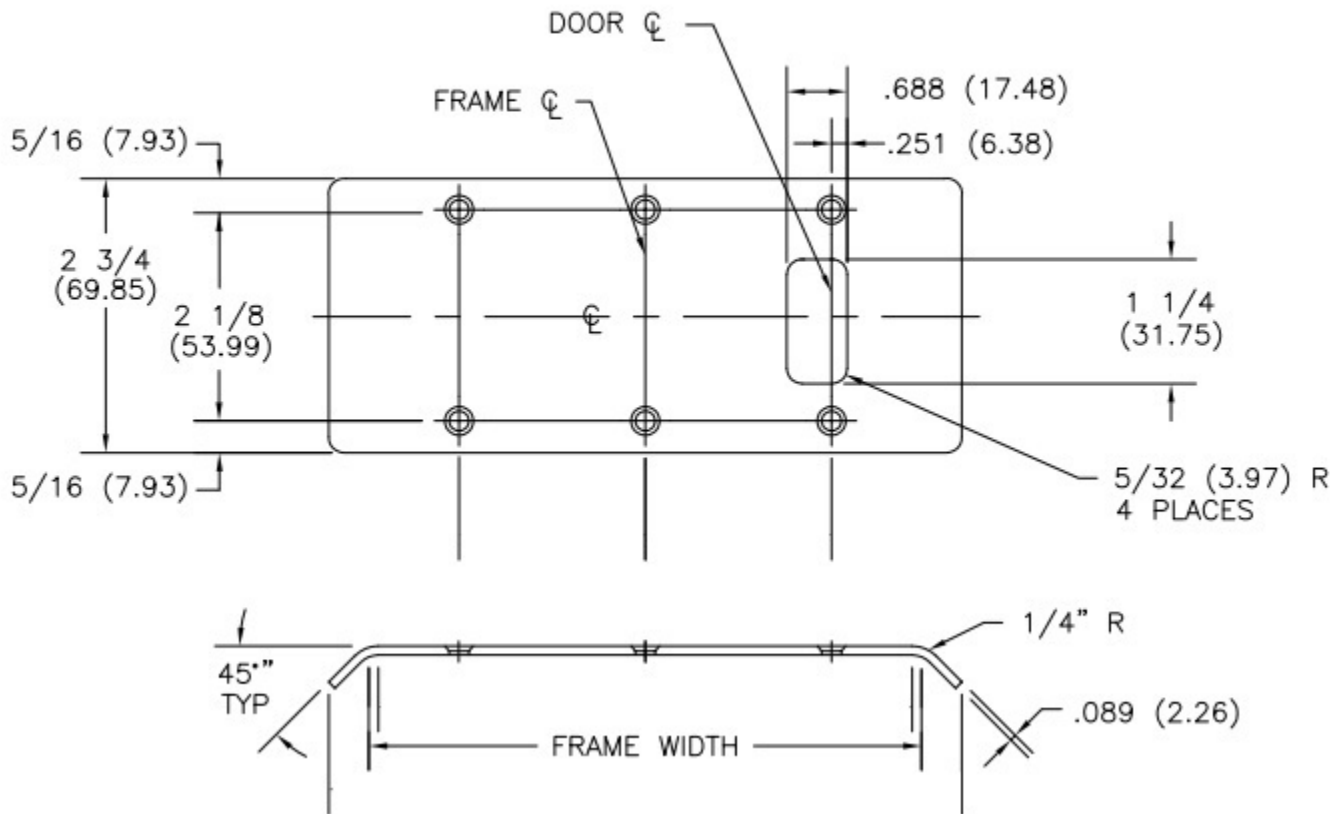


**TRADEMARK  
HARDWARE**

WORLD OF QUALITY HARDWARE

## Product Specs

### DOUBLE-LIPPED STRIKES FOR INSET HUNG DOORS



**SKU: H453**



[www.tmhardware.com](http://www.tmhardware.com)



845-388-1300



845-388-1388



[sales@tmhardware.com](mailto:sales@tmhardware.com)