



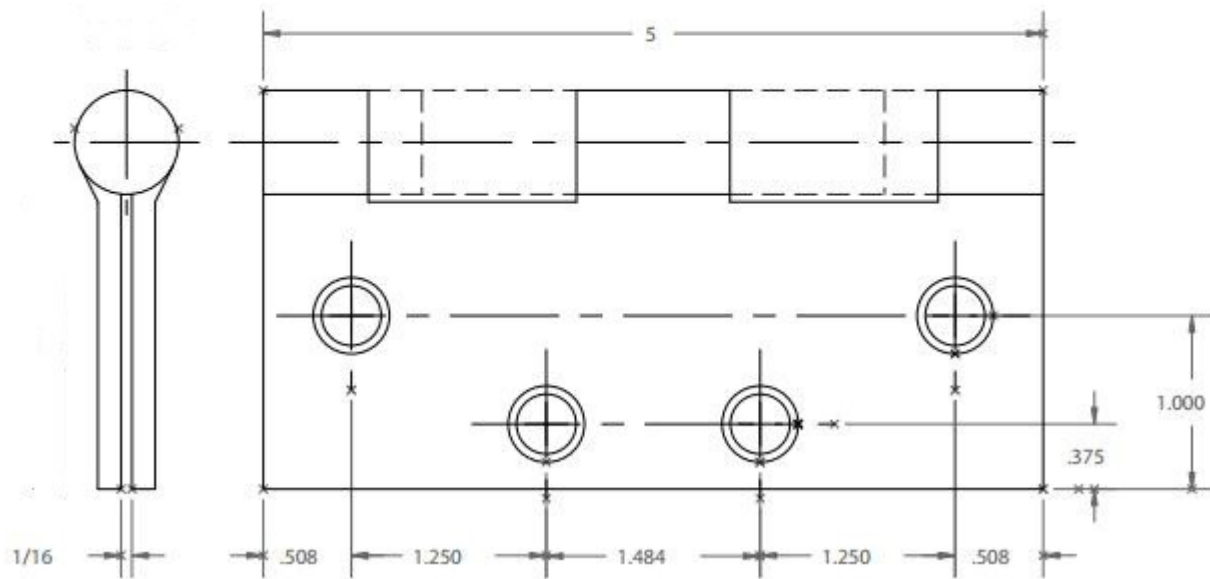
**TRADEMARK  
HARDWARE**

WORLD OF QUALITY HARDWARE

**FULL MORTISE  
TEMPLATE HINGES**

**Template No. T 315**  
**Rev. '96**

SIZES: 5 x 4, 5 x 4 1/2, 5 x 5, 5 x 6, 5 x 7, 5 x 8



**SKU: H800**

