



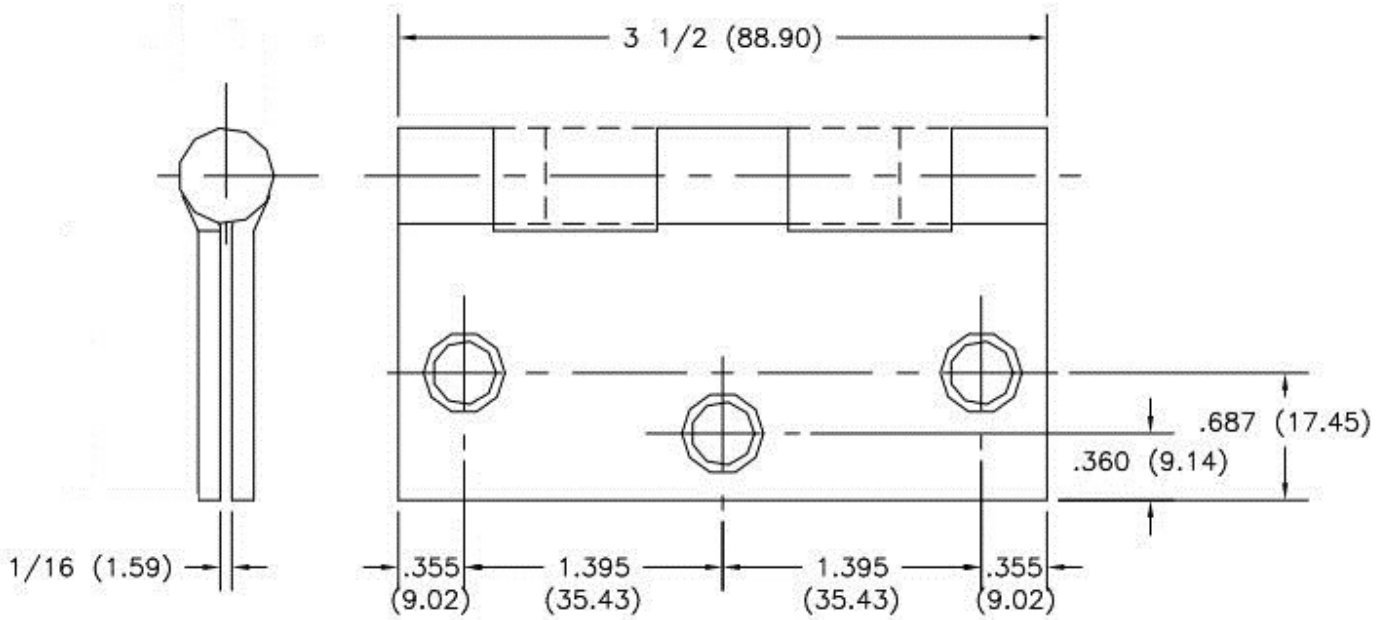
**TRADEMARK
HARDWARE**

WORLD OF QUALITY HARDWARE

TEMPLATE HINGES

Rev. '96

SIZES: $3\frac{1}{2} \times 3\frac{1}{2}$ --- $3\frac{1}{2} \times 5$ --- $3\frac{1}{2} \times 6$
(88.90 x 88.90) (88.90 x 127.00) (88.90 x 152.40)



SKU: H800

