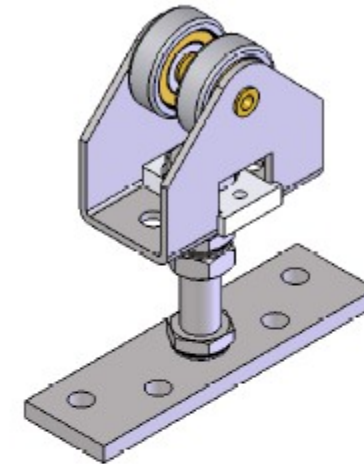
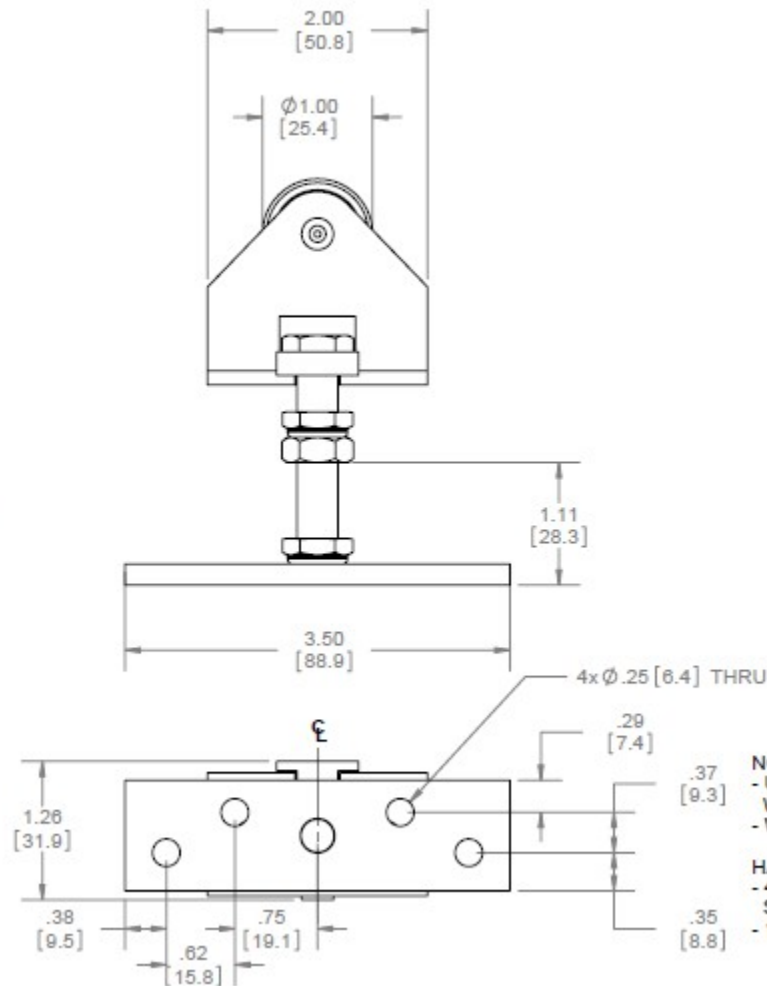
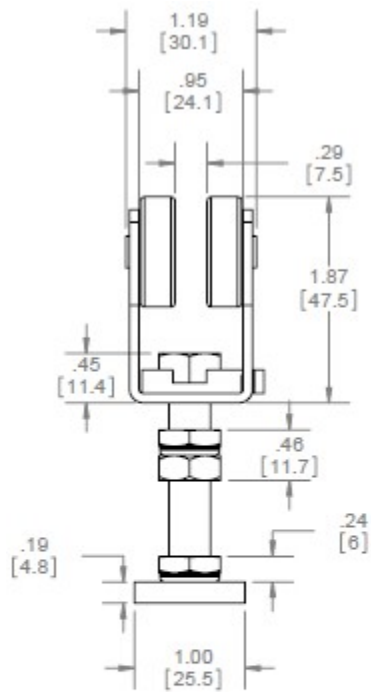




# TRADEMARK HARDWARE

WORLD OF QUALITY HARDWARE

## PRODUCT SPECS



NOTES:  
- USE WITH 9101 TRACK, WITH DOORS  
WEIGHING UP TO 175 LBS (79KG)  
- WHEELS: NYLON W/ STEEL BALL BEARINGS

HARDWARE INCLUDED:  
- 4PCS #12 x 1-1/4" CROSS PAN HEAD WOOD  
SCREW  
- 1PCS 3/8" LOCK WASHER

## SKU: H9102



[www.tmhardware.com](http://www.tmhardware.com)



845-388-1300



845-388-1388



[sales@tmhardware.com](mailto:sales@tmhardware.com)