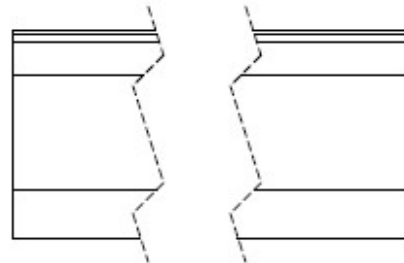
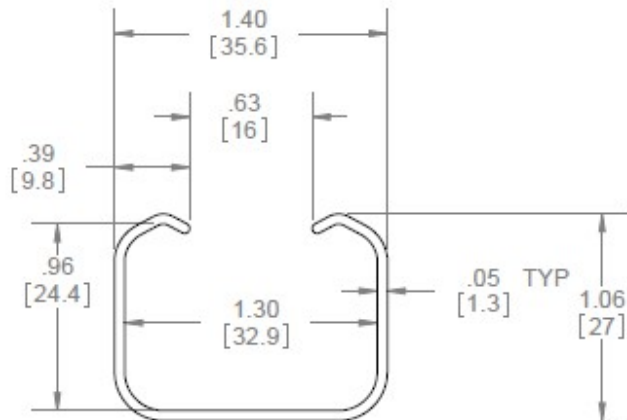
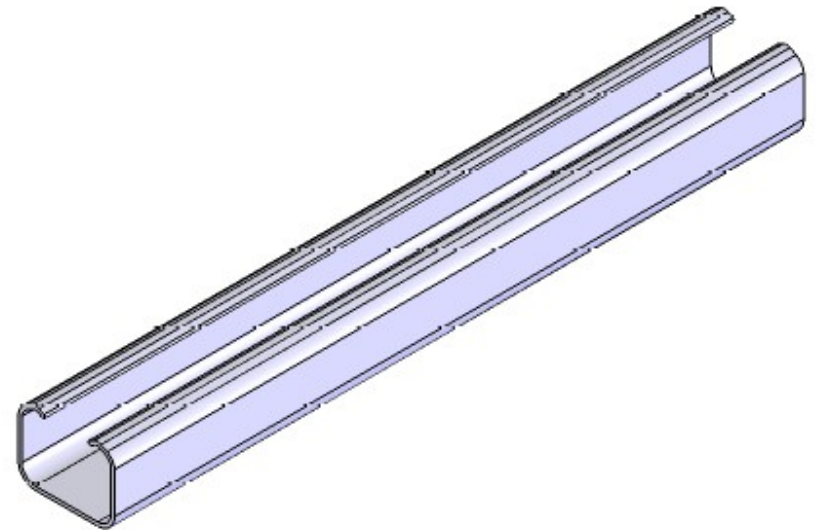




**TRADEMARK  
HARDWARE**

WORLD OF QUALITY HARDWARE

# PRODUCT SPECS



**SKU: H9601**

NOTES:  
- WEIGHT CAPACITY BASED ON SLIDING DOOR  
HARDWARE USED  
- MAX DOOR WEIGHT 150LBS.  
- JUMP PROOF TWIN CHANNEL DESIGN

LENGTHS:  
- 35" (889mm) TO 144" (3657mm)



[www.tmhardware.com](http://www.tmhardware.com)



845-388-1300



845-388-1388



[sales@tmhardware.com](mailto:sales@tmhardware.com)