



**TRADEMARK
HARDWARE**

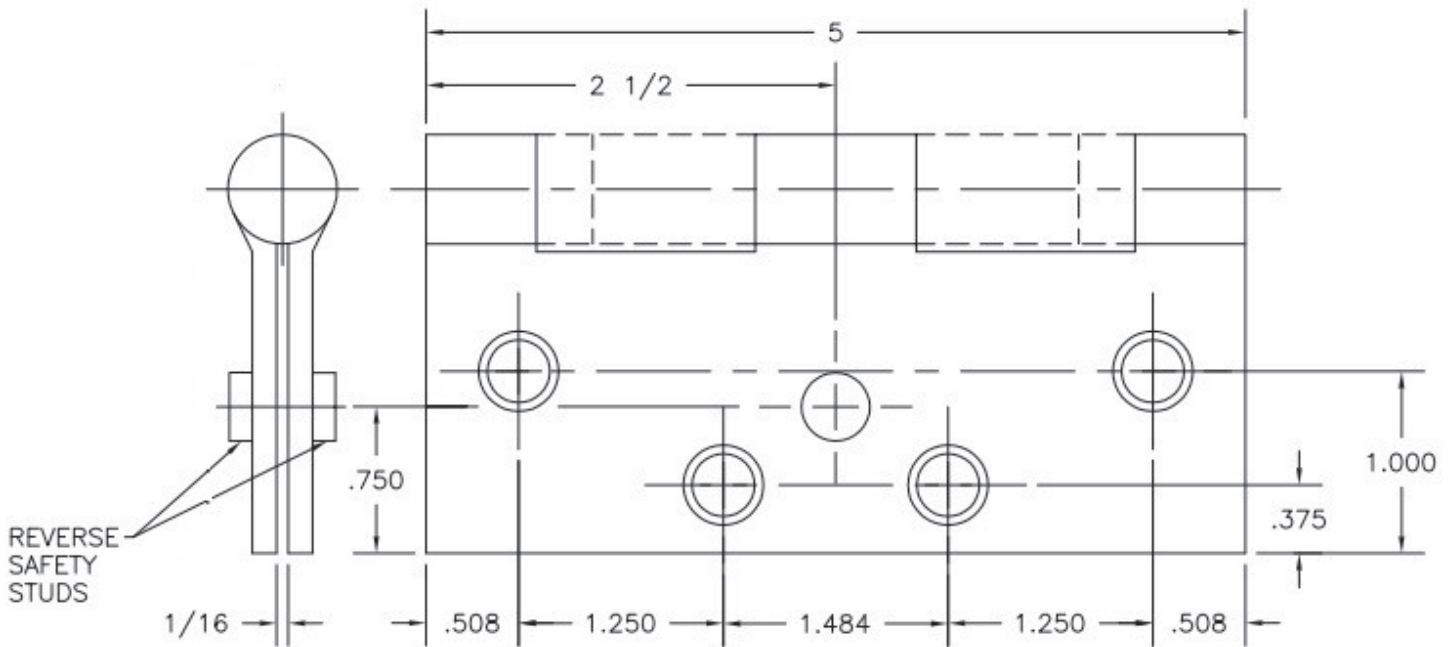
WORLD OF QUALITY HARDWARE

FULL MORTISE
REVERSE SAFETY STUD
TEMPLATE HINGES

Template No. T316

REV. NO.	REVISIONS	BY	DATE
2	ECO CT05083	RAM	12-14-05

SIZES: 5 x 4, 5 x 4 1/2, 5 x 5, 5 x 6, 5 x 7, 5 x 8



SKU: HBB1199



www.tmhardware.com



845-388-1300



845-388-1388



sales@tmhardware.com