

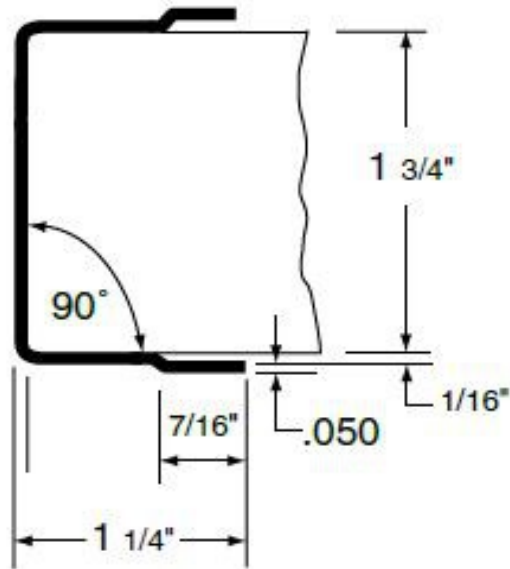


**TRADEMARK
HARDWARE**

WORLD OF QUALITY HARDWARE

PRODUCT SPECS

No. 310
ANSI 156.6 - J207



SKU: R310

